

Allsteel®

Approach™

**SPECIFICATION AND
PRICE LIST 2017**

prices effective January 29

Desking

Storage

Altitude®

Tables

Extensions™

PAINT FINISHES

C CORE COLORS GRADE P1

Black*	P27
Brownstone	P7D
Bungalow	P7C
Carob	P52
Flint	P02
Fossil	P28
Loft	P7B
Muslin	P4J
Parchment	P93

S SELECT COLORS GRADE P2

Brilliant White*	PQ8
Champagne Metallic	PR5
Gunmetal Metallic	PR3
Platinum Metallic	PR2
Silver*	PR6

*Column, End Cap, Foot, and Leg models are only available in these three colors.

PAINT COLOR INDICATORS

Pages in this pricer reference the following symbols:

C CORE PAINTED METAL COLORS

S SELECT PAINTED METAL COLORS

Metallic paints, due to varying reflectance, may appear to have less visual color consistency than other paint finishes, even when L/A/B values are exactly the same. (L/A/B — measurable aspects of color — values are maintained within a specified range, to ensure consistent appearance of paint colors.)

PLASTIC GROMMET OPTIONS WITH WOOD GRAIN

Black	E4
Flint	E9
Fossil	EH
Loft	EV
Muslin	EU

LAMINATES

SOLID COLORS

GRADE L1

Flint	LM16
Frosty White	LM14
Loft	LM11

WOODGRAIN

GRADE L2

Lowell Ash	LLA1
Natural Recon	LNR1
Phantom Ecu	LPE1
Portico Teak	LPT1
Skyline Walnut	LSW1

LAMINATE EDGE COLORS

Flint	E9
Loft	EV
Lowell Ash	DL
Natural Recon	NR
Phantom Ecu	PE
Portico Teak	DP
Skyline Walnut	SW
White	EW

NOTE: Refer to individual product pages for upcharges.

FSC Certified Wood at Allsteel
See page 77 for more information.

- Software support packages furnished to the customer, either by Allsteel® or by another source, which support the sale of Allsteel products are superseded by printed price lists.
- Prices are subject to change without notice. All orders are subject to prices in effect at the time of order.
- Please refer to your Allsteel Dealer Sales and Discount Policies for order placement information, terms and conditions.

- Ordering information appears at the bottom of each product page complete with examples on how to specify. Fabric and finish pages are referenced at the bottom of product pages.

This publication is available as an interactive or downloadable PDF at www.allsteeloffice.com.

Questions or Comments?

Please call us at: **888-ALLSTEEL**
888-255-7833

New, Revised, and Discontinued Products 4
 Warranty 5
 Introduction to Approach..... 6-7
 Overview 8-9
 Approach Typical and Grain Direction..... 10-17
 Approach Dimensions and Filing Capacity 18-21

WORKING WITH APPROACH

Working with Approach..... 22
 Counterweight Matrix..... 23
 Working with Desking..... 24-27
 Working with Credenzas & Pedestals..... 28-30
 Working with Worksurfaces & Supports..... 31
 Working with Storage..... 32-35
 Working with Tackboards & Writeable Boards 36
 Working with Counterweights & Accessories 37
 Working with Altitude® for Approach..... 38-39

APPROACH MODELS AND PRICING

Desking 40-41
 28" H Credenzas 42-43
 24" H Credenzas 44-45
 Pedestals & Accessories..... 46
 False Ped / Storage Back Panels / Bridge 47
 Credenza, Ped, and Table Tops & Cushions..... 48
 Worksurfaces 49
 Worksurface Supports & Modesty Panels 50-51
 Lateral Files & Bookcases 52
 Towers & Cubby Storage 53
 Stack-On Storage..... 54
 Overheads 55
 Tackboards..... 56-57
 Writable Boards 58
 Counterweights & Accessories 59
 Altitude Height-Adjustable Tables for Approach 60-61

EXTENSIONS

Introduction and Overview 63
 Organization Tools..... 64-65
 Ergonomic Accessories 66-69
 Illumination..... 70-72

APPENDIX AND INDEX

Locking Specifications 73-75
 Yardage & Touch-Up Paints..... 76
 Load Capacity 77
 Parts 78
 Fabric Grade Pricing..... 79
 Index 80-81
 Tackboard Fabrics 82-83

NEW PRODUCTS

Approach

Approach Casegoods 8/1/2016

NEW FINISHES

Laminates — Lowell Ash LLA1, Natural Recon LNR1,
Phantom Ecu LPE1, Portico Teak LPT1, Skyline Walnut LSW1 —
7/3/2016

Edges — Lowell Ash DL, Natural Recon NR, Phantom Ecu PE,
Plyband PL, Portico Teak DP, Skyline Walnut SW — 7/3/2016

Lifetime Warranty

Allsteel Inc. warrants its products to be free from defects in material and workmanship for as long as the original purchaser owns them, except as set forth below.

Allsteel shall repair or replace with comparable product (at Allsteel's discretion), free of charge, any Allsteel product or component manufactured after January 29, 2017, that fails under normal commercial office use.

This warranty is subject to the following provisions:

Some natural variations occurring in wood, leather, or other natural materials are inherent to their character and not considered defects. Allsteel does not warrant the colorfastness or matching of colors, grains, or textures of these materials. Additionally, a Customer's Own Material (COM) selected by, and used at the request of, a user is not warranted.

The materials and components listed below are covered according to the following schedule from the date of sale:

- Wood products and electrical components (lamps and ballasts are not covered), seating controls, pneumatic cylinders, glides, casters and polymer-based components, and foam — 12 years
- Wood seating, stacking chairs, Sum® AutoFit® technology, and laminates — 10 years
- User-adjustable worksurface mechanisms, tablet arm mechanisms, interior wood-framed seating and lounge products, occasional tables, Mimeo™ mesh, Quip™ mesh, Scout® mesh, panel and seating upholstery fabrics, and other covering materials — 5 years
- Marker board surfaces and upholstery on Gather™ products — 3 years
- #19®, Access™, Acuity®, Clarity®, Inspire®, Lyric™, Relate®, Scout, Seek®, Sum, and Trooper® asynchronous and synchro-tilt models are warranted for multiple shifts and users up to 300 lbs. Mimeo is warranted for multiple shifts and users up to 350 lbs. Lyric Large & Tall is warranted for multiple shifts and users up to 400 lbs. Trooper Large & Tall is warranted for multiple shifts and users up to 500 lbs. All other Allsteel chairs and components are warranted for single-shift, 40-hour workweek usage.

- #19 chair, including components and material, is warranted for as long as the original purchaser owns the chair.
- #19, Access, Acuity, Clarity, Lyric, Relate, and Seek mesh/carriers and Mimeo and Quip carriers are considered structural chair components and as such are warranted for as long as the original purchaser owns the chair.
- Undercabinet LED light — fixture warranted for 3 years; power supply warranted for 1 year
- Link™ LED light — 5 years
- Wand™ LED Light — fixture warranted for 5 years; power supply warranted for 3 years
- Beyond™ Movable Walls — 10 years; moving parts such as door hardware and door mechanisms — 5 years; customer's own hardware — supplier warranty

This warranty does not apply to:

- Normal wear and tear over the course of ownership, including fabric puddling
- Damage from sharp objects (e.g., writing utensils, heeled shoes, scissors, jewelry, keys)
- Modifications or attachments to the product not approved by Allsteel
- Products not installed, used, or maintained in accordance with product instructions and warnings
- Products used for rental purposes
- Damage caused by the carrier in-transit, which is handled under separate terms
- Third-party products. Allsteel, to the extent possible, will pass through to the original purchaser (and process claims under) any warranty provided by manufacturers of undercabinet lighting, ergonomic work tools, or other third-party products supplied by Allsteel.

TO THE EXTENT ALLOWED BY LAW, ALLSTEEL MAKES NO OTHER WARRANTY, EITHER EXPRESS OR IMPLIED, INCLUDING ANY WARRANTY OF MERCHANTABILITY OR FITNESS FOR A PARTICULAR PURPOSE. ALLSTEEL WILL NOT BE LIABLE FOR ANY CONSEQUENTIAL OR INCIDENTAL DAMAGES.

This warranty applies only to products sold within the United States of America and the Commonwealth of Canada.

Your Allsteel Dealer is our mutual partner in supporting your warranty requests. To obtain service under this warranty, please contact your Allsteel Dealer.

A new way to optimize the private office.

Many executives spend more time outside their offices than in them. When they do touch down for focused work, they want to feel like they've reached home base. An office for the way they work. Confidential files stored securely, coffee mug in its rightful place.

Offices may be getting smaller, but they can't be less functional. Approach provides a portfolio of modular options that inspires you to rethink how the private office can be designed to address today's needs, change over time, and even serve more than one purpose.

Approach complements Allsteel's open-plan solutions for a cohesive aesthetic throughout the space.

Adaptability

Two planning dimensions – 18" and 24" deep worksurfaces – allow you to design Approach to fit the space. Unique configurability options, like the ability to expand a simple "L" setup or change an "L" to a "U" setup, make it easy to efficiently use a single set of components throughout the workspace.

Functional Design

Sit-to-stand worksurfaces enable users to vary their posture throughout the day, while promoting wellness in the workplace. Height-adjustable legs are concealed within a shroud or pedestal storage. Smart storage, like a side-access tower, credenzas in multiple configurations at two heights, stack-ons and wall-mounted overheads with marker board fronts, and a slim pedestal, provide options for any storage need.

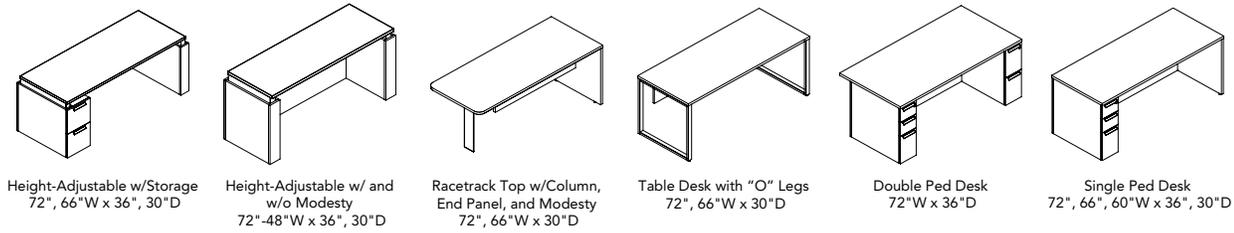
Clean Wire and Cable Management

Wires run and plug in behind worksurfaces and out of the way in an integrated trough designed into storage units, eliminating the need for worksurface grommets. A removable access panel cleanly hides cords plugging into the wall beneath the worksurface.

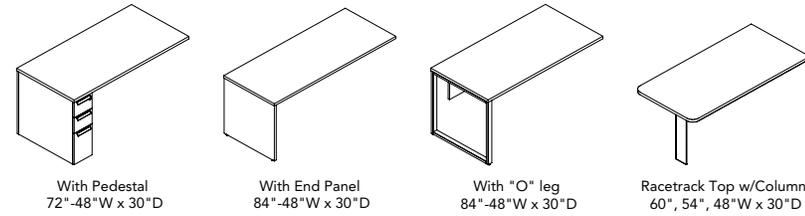
Aesthetic Choices

Approach offers a to-the-floor base or a lighter-scale footed design. Choose from eight solid and woodgrain laminate colors, numerous fabrics for tackboards and pedestal seat cushions, and three storage pull styles. Approach offers a mix of materials to support the design vision.

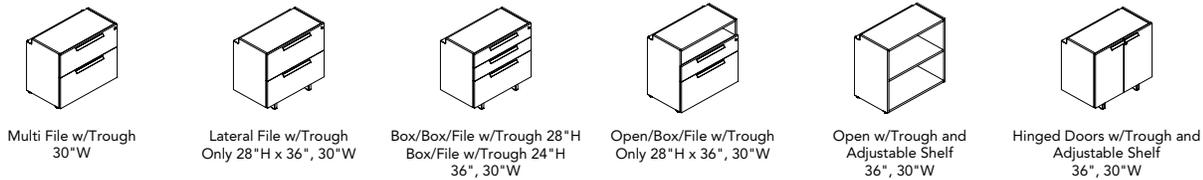
Approach Pre-configured Desks & Tables — height-adjustable 27¼"-47¾"H, fixed height 29½"H, left and right configurations



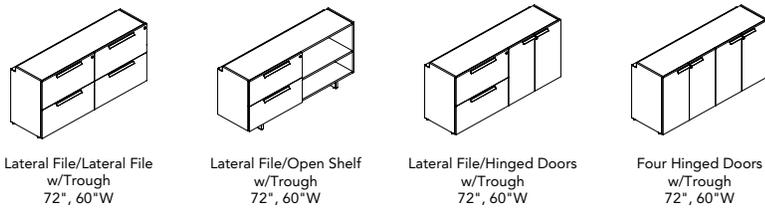
Approach Runoffs with Half-Height Modesty Panels — 29½"H



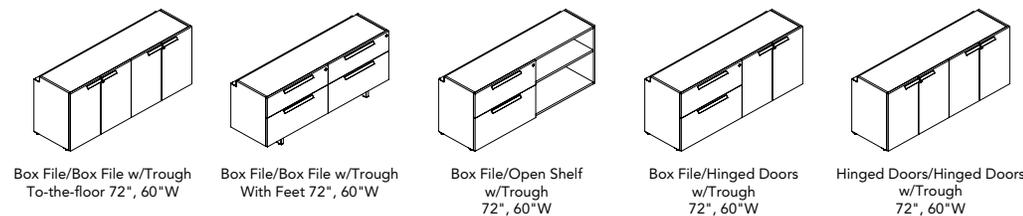
Approach Credenzas — 28"H (shown) x 18"D or 24"D, 24"H x 18"D; most available to-the-floor base or feet.



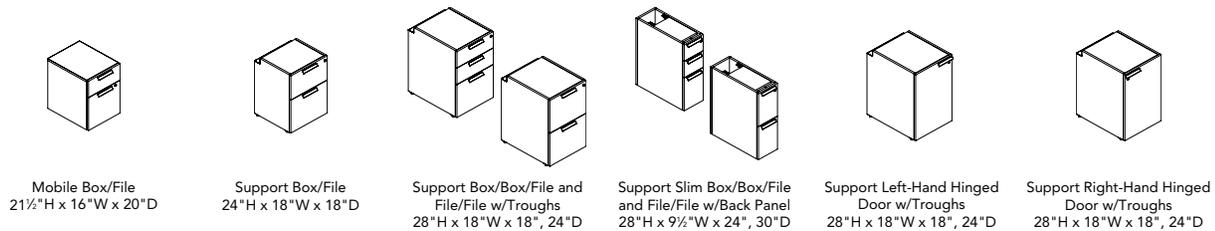
Approach 28"H Double Credenzas — 18" or 24"D, left and right configurations, available to-the-floor base or feet.



Approach 24"H Double Credenzas — 24"H x 18"D; left and right configurations, most available to-the-floor base or feet.



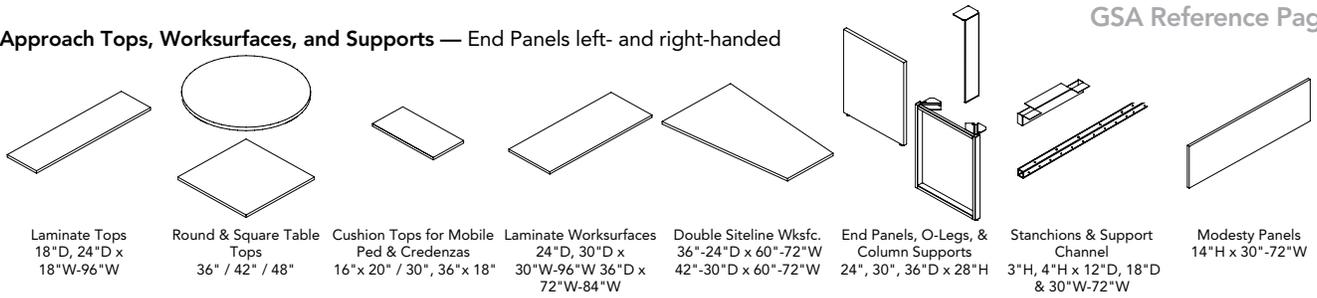
Approach Pedestals — Mobile models have recessed casters



Approach False Peds, Wall Access Panels, Bridges, and Back Panels



Approach Tops, Worksurfaces, and Supports — End Panels left- and right-handed



Laminate Tops
18"D, 24"D x
18"W-96"W

Round & Square Table
Tops
36" / 42" / 48"

Cushion Tops for Mobile
Ped & Credenzas
16"x 20" / 30", 36"x 18"

Laminate Worksurfaces
24"D, 30"D x
30"W-96"W 36"D x
72"W-84"W

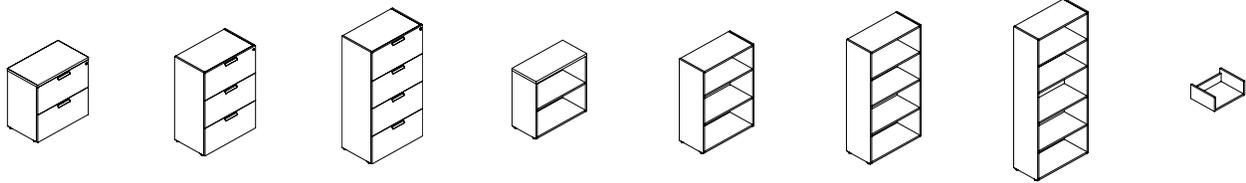
Double Siteline Wksfc.
36"-24"D x 60"-72"W
42"-30"D x 60"-72"W

End Panels, O-Legs, &
Column Supports
24", 30", 36"D x 28"H

Stanchions & Support
Channel
3"H, 4"H x 12"D, 18"D
& 30"W-72"W

Modesty Panels
14"H x 30"-72"W

Approach Lateral Files, Bookcases, and Cubby — Laterals are 30" or 36"W x 18½"D, Bookcases are 30"W x 14¼"D, Cubby 7"H x 14"D



2-Drawer Lateral
29½"H

3-Drawer Lateral
42¼"H

4-Drawer Lateral
56½"H

2-High Bookcase
29½"H

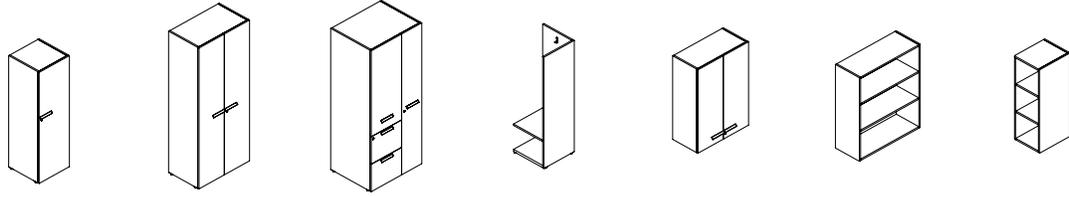
3-High Bookcase
42¼"H

4-High Bookcase
56½"H

5-High Bookcase
71¼"H

Cubby Storage
18", 24", 30"W

Approach Towers & Stack-On Storage — Towers 18"D, 24"D; Storage w/doors & Side Access 15"D, Open units 14¼"D



Tower w/Hinged Door
L- and R-Handed
18"W x 56½", 71¼"H

Tower w/Hinged Doors
30"W x 56½", 71¼"H

Combo Tower File/File
L- and R-Handed
30"W x 71¼"H

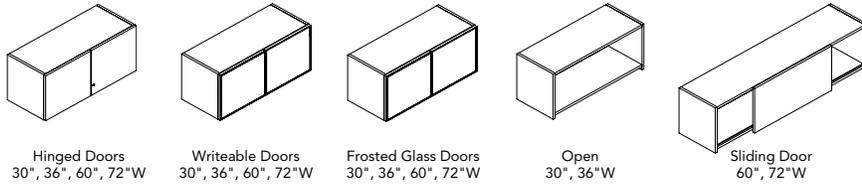
Side Access
L- and R-Handed
18"W x 56½", 71¼"H

Stack-On w/Doors
18", 30", 36"W x 29½",
42¼"H

Stack-On Open
18", 30", 36"W x 29½",
42¼"H

Stack-On Side Access
18"W x 29½", 42¼"H

Approach Overhead Storage — 15½"H x 15½"D with doors, open units 15½"D



Hinged Doors
30", 36", 60", 72"W

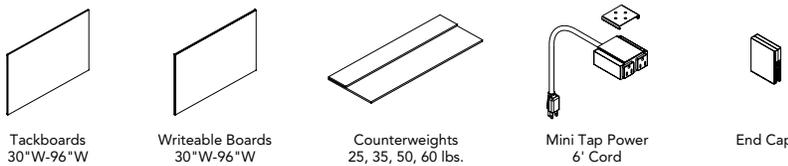
Writeable Doors
30", 36", 60", 72"W

Frosted Glass Doors
30", 36", 60", 72"W

Open
30", 36"W

Sliding Door
60", 72"W

Approach Tackboards, Writeable Boards, and Accessories — Tackboards and Writeable Boards 30", 34", 45", 49"H



Tackboards
30"W-96"W

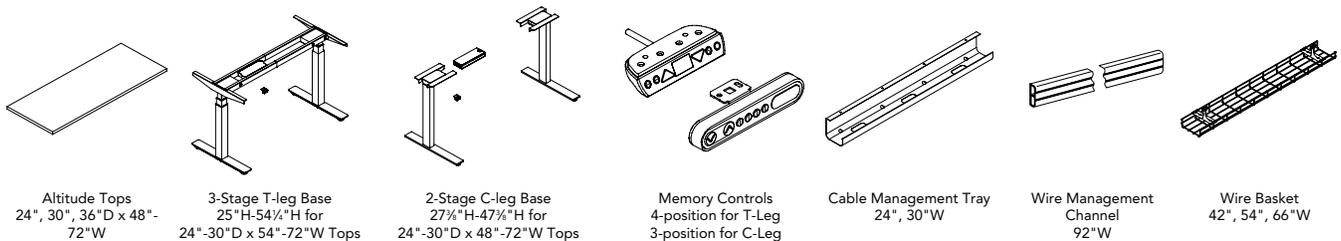
Writeable Boards
30"W-96"W

Counterweights
25, 35, 50, 60 lbs.

Mini Tap Power
6' Cord

End Cap

Altitude® Height-Adjustable Tops, Bases, and Accessories for Approach



Altitude Tops
24", 30", 36"D x 48"-
72"W

3-Stage T-leg Base
25"H-54¼"H for
24"-30"D x 54"-72"W Tops

2-Stage C-leg Base
27¼"H-47¼"H for
24"-30"D x 48"-72"W Tops

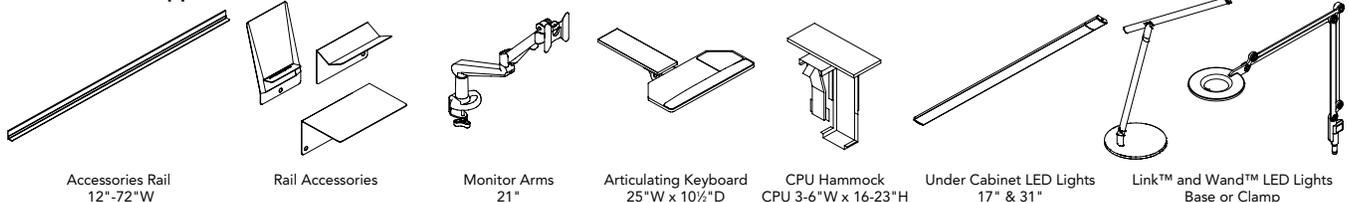
Memory Controls
4-position for T-Leg
3-position for C-Leg

Cable Management Tray
24", 30"W

Wire Management
Channel
92"W

Wire Basket
42", 54", 66"W

Extensions for Approach



Accessories Rail
12"-72"W

Rail Accessories

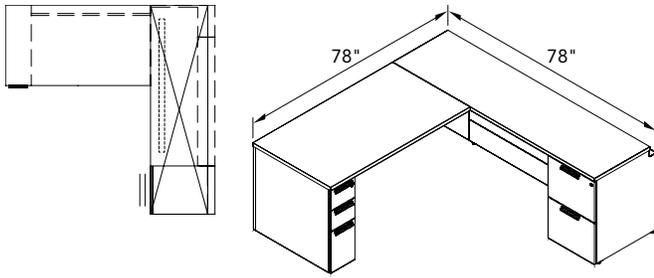
Monitor Arms
21"

Articulating Keyboard
25"W x 10½"D

CPU Hammock
CPU 3-6"W x 16-23"H

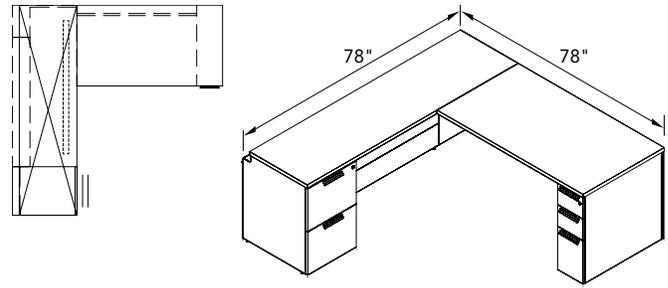
Under Cabinet LED Lights
17" & 31"

Link™ and Wand™ LED Lights
Base or Clamp



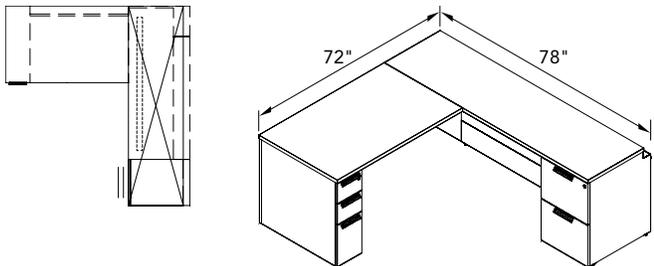
Traditional L — Desking Runoff & Ped 78" x 78"

Line Item	Product Description	Model Number	List Price
1	Desking Runoff 54"W x 30"D LH w/BBF Half Mod Panel	WKDRFN295430LH-BBF	\$ 1906
2	False Ped 12"W x 24"D LH	WKFPFN281224LH	\$ 596
3	Wall Access Panel 28"H x 48"W Full Height	WKHP2848	\$ 710
4	Support Ped 18"W x 24"D FF w/Trough Cut No Bk Panel	WKPSFN281824-FF	\$ 1153
5	Credenza Top 78"W x 24"D for use w/Trough	WKWSCW7824	\$ 507
6	48"W External Support Channel for 60"W Worksurface	Z5SC60	\$ 64
TOTAL			\$ 4,936



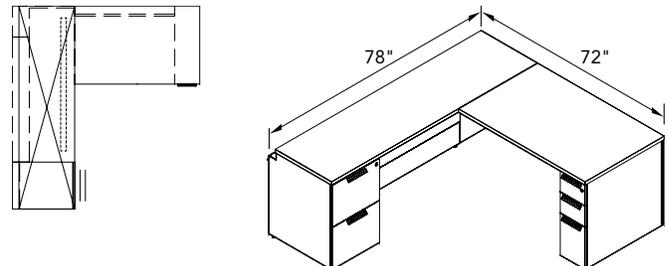
Traditional L — Desking Runoff & Ped 78" x 78"

Line Item	Product Description	Model Number	List Price
1	Desking Runoff 54"W x 30"D RH w/BBF Half Mod Panel	WKDRFN295430RH-BBF	\$ 1906
2	False Ped 12"W x 24"D RH	WKFPFN281224RH	\$ 596
3	Wall Access Panel 28"H x 48"W Full Height	WKHP2848	\$ 710
4	Support Ped 18"W x 24"D FF w/Trough Cut No Bk Panel	WKPSFN281824-FF	\$ 1153
5	Credenza Top 78"W x 24"D for use w/Trough	WKWSCW7824	\$ 507
6	48"W External Support Channel for 60"W Worksurface	Z5SC60	\$ 64
TOTAL			\$ 4,936



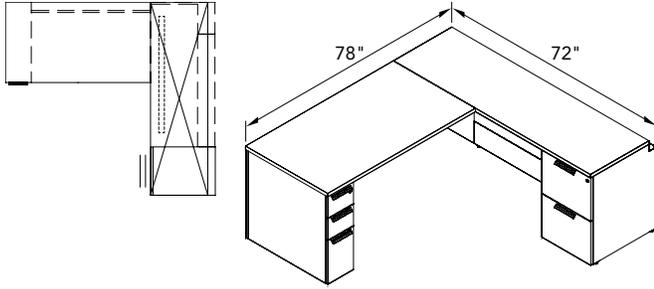
Traditional L — Desking Runoff & Ped 72" x 78"

Line Item	Product Description	Model Number	List Price
1	Desking Runoff 48"W x 30"D LH w/BBF Half Mod Panel	WKDRFN294830LH-BBF	\$ 1841
2	False Ped 12"W x 24"D LH	WKFPFN281224LH	\$ 596
3	Wall Access Panel 28"H x 48"W Full Height	WKHP2848	\$ 710
4	Support Ped 18"W x 24"D FF w/Trough Cut No Bk Panel	WKPSFN281824-FF	\$ 1153
5	Credenza Top 78"W x 24"D for use w/Trough	WKWSCW7824	\$ 507
6	48"W External Support Channel for 60"W Worksurface	Z5SC60	\$ 64
TOTAL			\$ 4,871



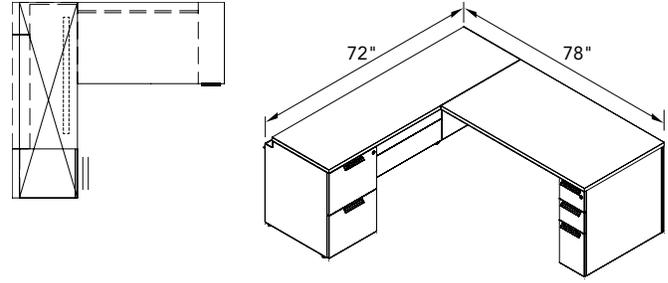
Traditional L — Desking Runoff & Ped 78" x 72"

Line Item	Product Description	Model Number	List Price
1	Desking Runoff 48"W x 30"D RH w/BBF Half Mod Panel	WKDRFN294830RH-BBF	\$ 1841
2	False Ped 12"W x 24"D RH	WKFPFN281224RH	\$ 596
3	Wall Access Panel 28"H x 48"W Full Height	WKHP2848	\$ 710
4	Support Ped 18"W x 24"D FF w/Trough Cut No Bk Panel	WKPSFN281824-FF	\$ 1153
5	Credenza Top 78"W x 24"D for use w/Trough	WKWSCW7824	\$ 507
6	48"W External Support Channel for 60"W Worksurface	Z5SC60	\$ 64
TOTAL			\$ 4,871



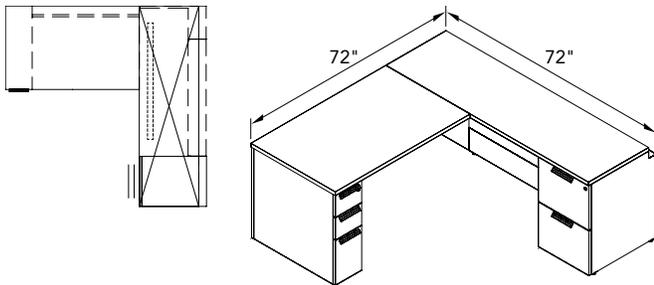
Traditional L — Desking Runoff & Ped 78" x 72"

Line Item	Product Description	Model Number	List Price
1	Desking Runoff 54"W x 30"D LH w/BBF Half Mod Panel	WKDRFN295430LH-BBF	\$ 1906
2	False Ped 12"W x 24"D LH	WKFPFN281224LH	\$ 596
3	Wall Access Panel 28"H x 42"W Full Height	WKHP2842	\$ 683
4	Support Ped 18"W x 24"D FF w/Trough Cut No Bk Panel	WKPSFN281824-FF	\$ 1153
5	Credenza Top 72"W x 24"D for use w/Trough	WKWSCW7224	\$ 469
6	42"W External Support Channel for 54"W Worksurface	Z5SC54	\$ 59
TOTAL			\$ 4,866



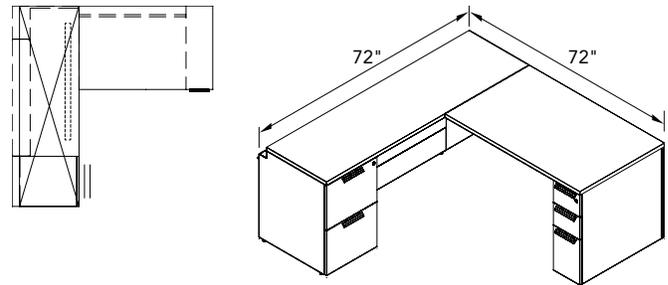
Traditional L — Desking Runoff & Ped 72" x 78"

Line Item	Product Description	Model Number	List Price
1	Desking Runoff 54"W x 30"D RH w/BBF Half Mod Panel	WKDRFN295430RH-BBF	\$ 1906
2	False Ped 12"W x 24"D RH	WKFPFN281224RH	\$ 596
3	Wall Access Panel 28"H x 42"W Full Height	WKHP2842	\$ 683
4	Support Ped 18"W x 24"D FF w/Trough Cut No Bk Panel	WKPSFN281824-FF	\$ 1153
5	Credenza Top 72"W x 24"D for use w/Trough	WKWSCW7224	\$ 469
6	42"W External Support Channel for 54"W Worksurface	Z5SC54	\$ 59
TOTAL			\$ 4,866



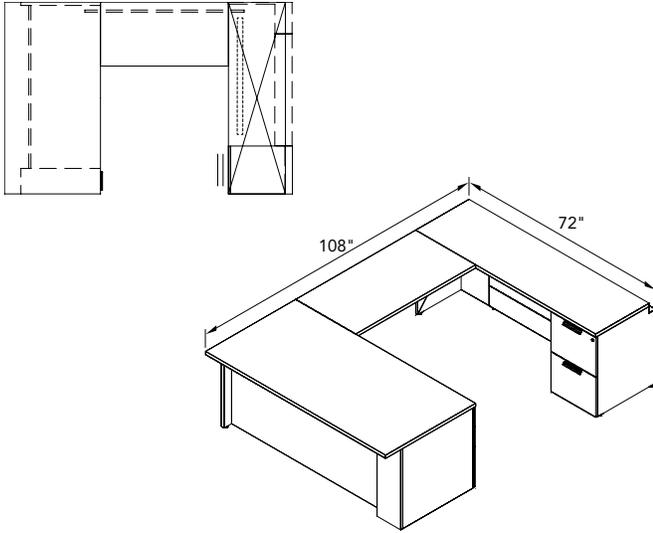
Traditional L — Desking Runoff & Ped 72" x 72"

Line Item	Product Description	Model Number	List Price
1	Desking Runoff 48"W x 30"D LH w/BBF Half Mod Panel	WKDRFN294830LH-BBF	\$ 1841
2	False Ped 12"W x 24"D LH	WKFPFN281224LH	\$ 596
3	Wall Access Panel 28"H x 42"W Full Height	WKHP2842	\$ 683
4	Support Ped 18"W x 24"D FF w/Trough Cut No Bk Panel	WKPSFN281824-FF	\$ 1153
5	Credenza Top 72"W x 24"D for use w/Trough	WKWSCW7224	\$ 469
6	42"W External Support Channel for 54"W Worksurface	Z5SC54	\$ 59
TOTAL			\$ 4,801



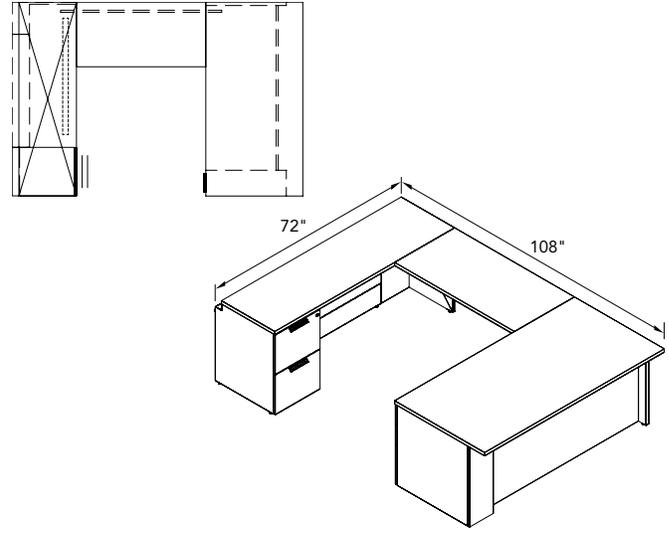
Traditional L — Desking Runoff & Ped 72" x 72"

Line Item	Product Description	Model Number	List Price
1	Desking Runoff 48"W x 30"D RH w/BBF Half Mod Panel	WKDRFN294830RH-BBF	\$ 1841
2	False Ped 12"W x 24"D RH	WKFPFN281224RH	\$ 596
3	Wall Access Panel 28"H x 42"W Full Height	WKHP2842	\$ 683
4	Support Ped 18"W x 24"D FF w/Trough Cut No Bk Panel	WKPSFN281824-FF	\$ 1153
5	Credenza Top 72"W x 24"D for use w/Trough	WKWSCW7224	\$ 469
6	42"W External Support Channel for 54"W Worksurface	Z5SC54	\$ 59
TOTAL			\$ 4,801



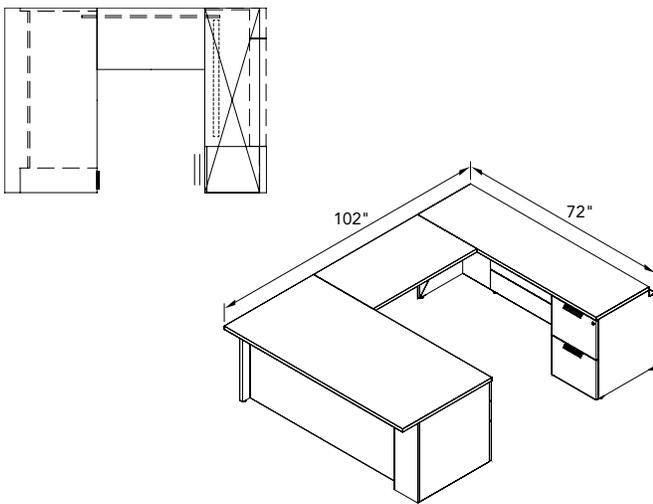
Traditional U — Single Ped Desk & Credenza 108" x 72"

Line Item	Product Description	Model Number	List Price
1	Single Ped Desk 72"W x 36"D LH BBF w/Mod Panel	WKDUFN297236LH-BBF	\$ 2536
2	Bridge 48"W x 24"D w/Half Mod Panel	WKAUBG4824	\$ 755
3	Support Ped 18"W x 24"D FF w/Trough Cut No Back Panel	WKPSFN281824-FF	\$ 1153
4	False Ped 12"W x 24"D LH	WKFPFN281224LH	\$ 596
5	Wall Access Panel 28"H x 42"W Full Ht	WKHP2842	\$ 683
6	Credenza Top 72"W x 24"D for use w/Trough	WKWSCW7224	\$ 469
7	42"W External Support Channel for 54"W Worksurface	Z5SC54	\$ 59
TOTAL			\$ 6,251



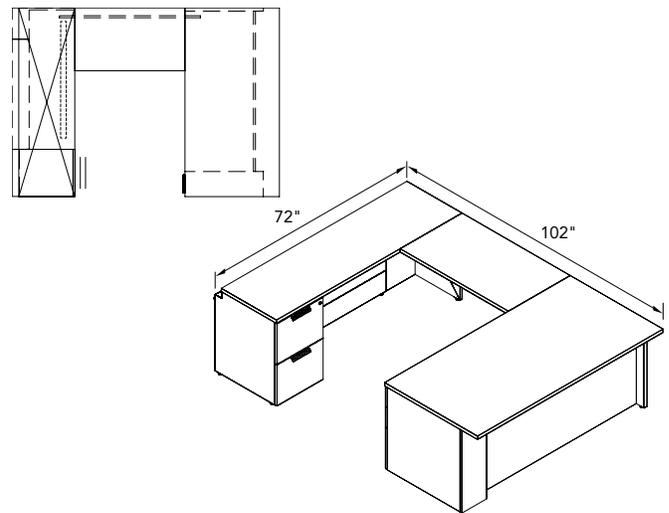
Traditional U — Single Ped Desk & Credenza 72" x 108"

Line Item	Product Description	Model Number	List Price
1	Single Ped Desk 72"W x 36"D RH BBF w/Mod Panel	WKDUFN297236RH-BBF	\$ 2536
2	Bridge 48"W x 24"D w/Half Mod Panel	WKAUBG4824	\$ 755
3	Support Ped 18"W x 24"D FF w/Trough Cut No Back Panel	WKPSFN281824-FF	\$ 1153
4	False Ped 12"W x 24"D RH	WKFPFN281224RH	\$ 596
5	Wall Access Panel 28"H x 42"W Full Ht	WKHP2842	\$ 683
6	Credenza Top 72"W x 24"D for use w/Trough	WKWSCW7224	\$ 469
7	42"W External Support Channel for 54"W Worksurface	Z5SC54	\$ 59
TOTAL			\$ 6,251



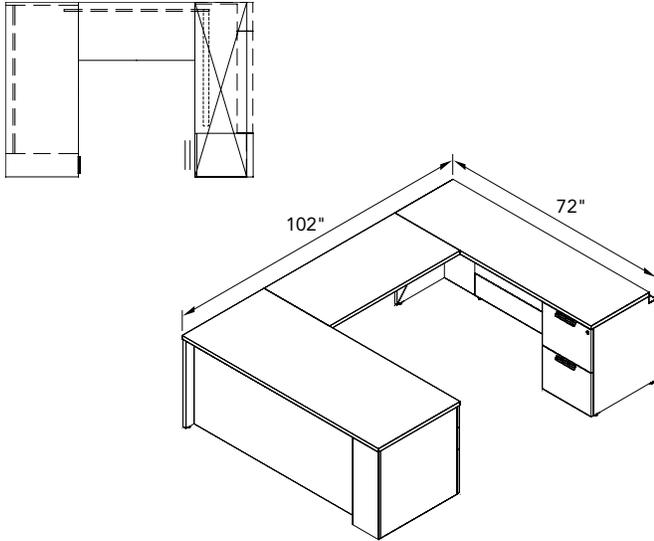
Traditional U — Single Ped Desk & Credenza 102" x 72"

Line Item	Product Description	Model Number	List Price
1	Single Ped Desk 72"W x 36"D LH BBF w/Mod Panel	WKDUFN297236LH-BBF	\$ 2536
2	Bridge 42"W x 24"D w/Half Mod Panel	WKAUBG4224	\$ 711
3	Support Ped 18"W x 24"D FF w/Trough Cut No Back Panel	WKPSFN281824-FF	\$ 1153
4	False Ped 12"W x 24"D LH	WKFPFN281224LH	\$ 596
5	Wall Access Panel 28"H x 42"W Full Ht	WKHP2842	\$ 683
6	Credenza Top 72"W x 24"D for use w/Trough	WKWSCW7224	\$ 469
7	42"W External Support Channel for 54"W Worksurface	Z5SC54	\$ 59
TOTAL			\$ 6,207



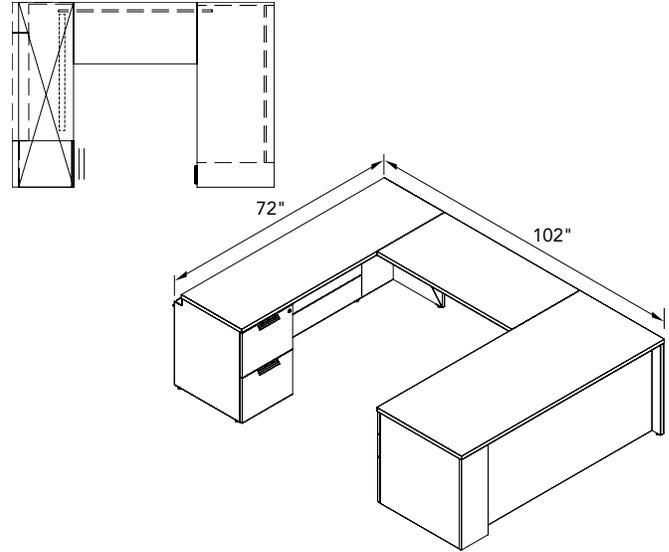
Traditional U — Single Ped Desk & Credenza 72" x 102"

Line Item	Product Description	Model Number	List Price
1	Single Ped Desk 72"W x 36"D RH BBF w/Mod Panel	WKDUFN297236RH-BBF	\$ 2536
2	Bridge 42"W x 24"D w/Half Mod Panel	WKAUBG4224	\$ 711
3	Support Ped 18"W x 24"D FF w/Trough Cut No Back Panel	WKPSFN281824-FF	\$ 1153
4	False Ped 12"W x 24"D RH	WKFPFN281224RH	\$ 596
5	Wall Access Panel 28"H x 42"W Full Ht	WKHP2842	\$ 683
6	Credenza Top 72"W x 24"D for use w/Trough	WKWSCW7224	\$ 469
7	42"W External Support Channel for 54"W Worksurface	Z5SC54	\$ 59
TOTAL			\$ 6,207



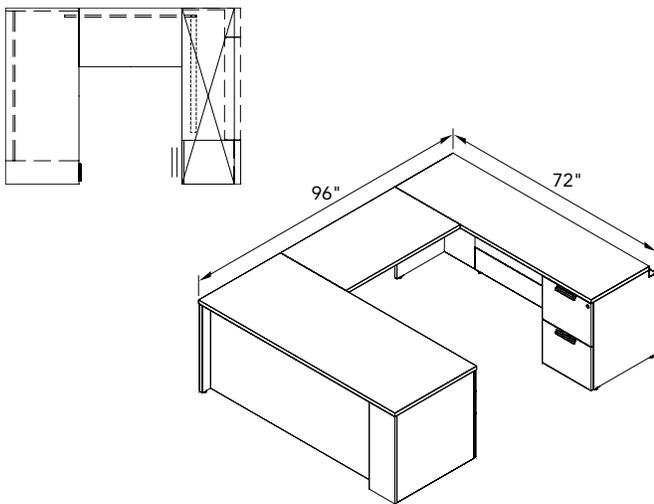
Traditional U — Single Ped Desk & Credenza 102" x 72"

Line Item	Product Description	Model Number	List Price
1	Single Ped Desk 72"W x 30"D LH BBF w/Mod Panel	WKDUFN297230LH-BBF	\$ 2375
2	Bridge 48"W x 24"D w/Half Mod Panel	WKAUBG4824	\$ 755
3	Support Ped 18"W x 24"D FF w/Trough Cut No Back Panel	WKPSFN281824-FF	\$ 1153
4	False Ped 12"W x 24"D LH	WKFPFN281224LH	\$ 596
5	Wall Access Panel 28"H x 42"W Full Ht	WKHP2842	\$ 683
6	Credenza Top 72"W x 24"D for use w/Trough	WKWSCW7224	\$ 469
7	42"W External Support Channel for 54"W Worksurface	Z5SC54	\$ 59
TOTAL			\$ 6,090



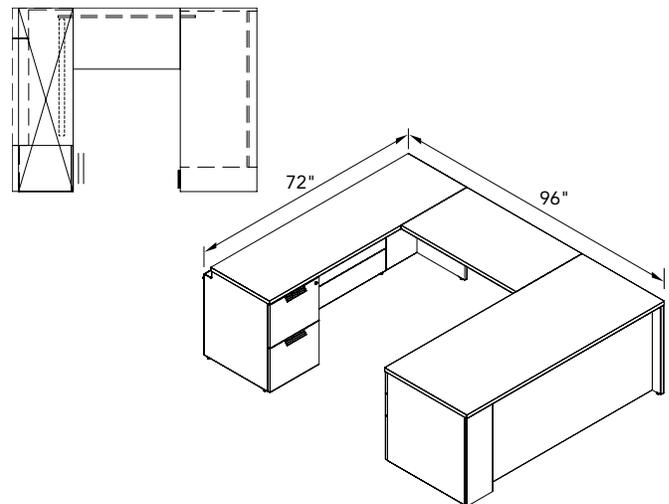
Traditional U — Single Ped Desk & Credenza 72" x 102"

Line Item	Product Description	Model Number	List Price
1	Single Ped Desk 72"W x 30"D RH BBF w/Mod Panel	WKDUFN297230RH-BBF	\$ 2375
2	Bridge 48"W x 24"D w/Half Mod Panel	WKAUBG4824	\$ 755
3	Support Ped 18"W x 24"D FF w/Trough Cut No Back Panel	WKPSFN281824-FF	\$ 1153
4	False Ped 12"W x 24"D RH	WKFPFN281224RH	\$ 596
5	Wall Access Panel 28"H x 42"W Full Ht	WKHP2842	\$ 683
6	Credenza Top 72"W x 24"D for use w/Trough	WKWSCW7224	\$ 469
7	42"W External Support Channel for 54"W Worksurface	Z5SC54	\$ 59
TOTAL			\$ 6,090



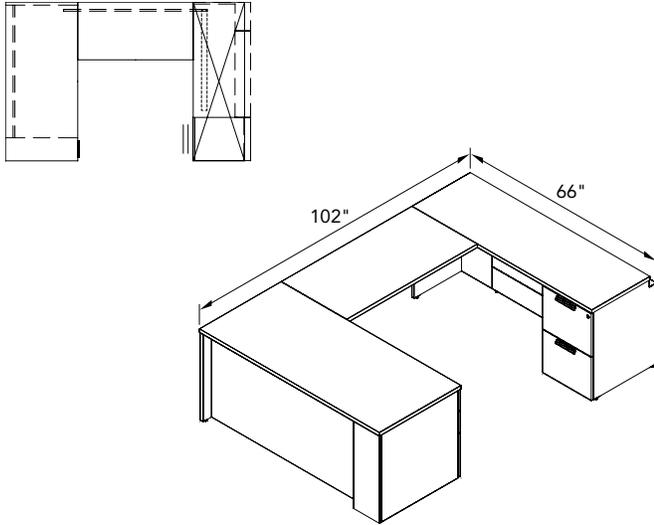
Traditional U — Single Ped Desk & Credenza 96" x 72"

Line Item	Product Description	Model Number	List Price
1	Single Ped Desk 72"W x 30"D LH BBF w/Mod Panel	WKDUFN297230LH-BBF	\$ 2375
2	Bridge 42"W x 24"D w/Half Mod Panel	WKAUBG4224	\$ 711
3	Support Ped 18"W x 24"D FF w/Trough Cut No Back Panel	WKPSFN281824-FF	\$ 1153
4	False Ped 12"W x 24"D LH	WKFPFN281224LH	\$ 596
5	Wall Access Panel 28"H x 42"W Full Ht	WKHP2842	\$ 683
6	Credenza Top 72"W x 24"D for use w/Trough	WKWSCW7224	\$ 469
7	42"W External Support Channel for 54"W Worksurface	Z5SC54	\$ 59
TOTAL			\$ 6,046



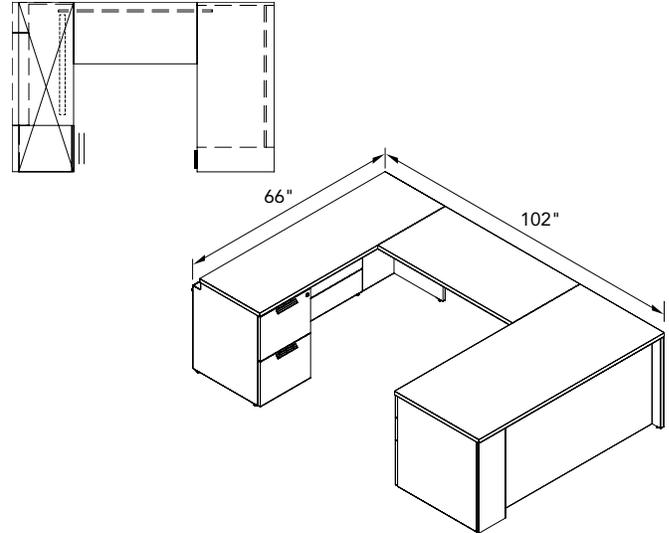
Traditional U — Single Ped Desk & Credenza 72" x 96"

Line Item	Product Description	Model Number	List Price
1	Single Ped Desk 72"W x 30"D RH BBF w/Mod Panel	WKDUFN297230RH-BBF	\$ 2375
2	Bridge 42"W x 24"D w/Half Mod Panel	WKAUBG4224	\$ 711
3	Support Ped 18"W x 24"D FF w/Trough Cut No Back Panel	WKPSFN281824-FF	\$ 1153
4	False Ped 12"W x 24"D RH	WKFPFN281224RH	\$ 596
5	Wall Access Panel 28"H x 42"W Full Ht	WKHP2842	\$ 683
6	Credenza Top 72"W x 24"D for use w/Trough	WKWSCW7224	\$ 469
7	42"W External Support Channel for 54"W Worksurface	Z5SC54	\$ 59
TOTAL			\$ 6,046



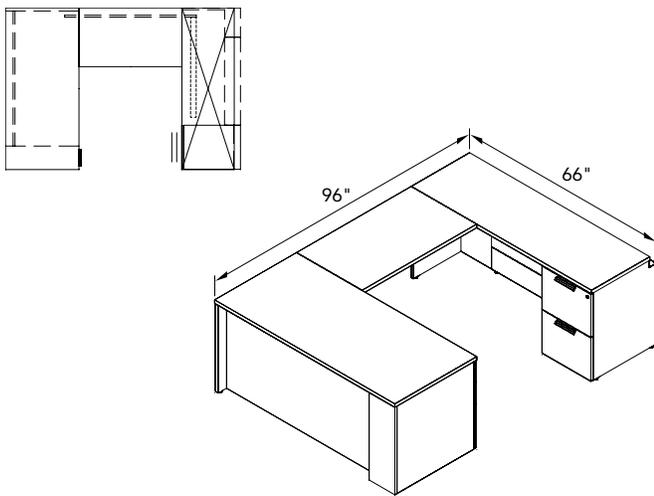
Traditional U — Single Ped Desk & Credenza 102" x 66"

Line Item	Product Description	Model Number	List Price
1	Single Ped Desk 66"W x 30"D LH BBF w/Mod Panel	WKDUFN296630LH-BBF	\$ 2340
2	Bridge 48"W x 24"D w/Half Mod Panel	WKAUBG4824	\$ 755
3	Support Ped 18"W x 24"D FF w/Trough Cut No Back Panel	WKPSFN281824-FF	\$ 1153
4	False Ped 12"W x 24"D LH	WKFPFN281224LH	\$ 596
5	Wall Access Panel 28"H x 36"W Full Ht	WKHP2836	\$ 661
6	Credenza Top 66"W x 24"D for use w/Trough	WKWSCW6624	\$ 443
7	36"W External Support Channel for 48"W Worksurface	Z5SC48	\$ 52
TOTAL			\$ 6,000



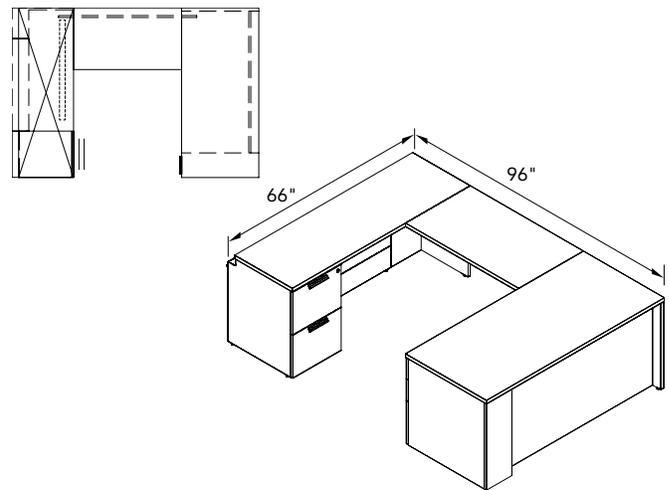
Traditional U — Single Ped Desk & Credenza 66" x 102"

Line Item	Product Description	Model Number	List Price
1	Single Ped Desk 66"W x 30"D RH BBF w/Mod Panel	WKDUFN296630RH-BBF	\$ 2340
2	Bridge 48"W x 24"D w/Half Mod Panel	WKAUBG4824	\$ 755
3	Support Ped 18"W x 24"D FF w/Trough Cut No Back Panel	WKPSFN281824-FF	\$ 1153
4	False Ped 12"W x 24"D RH	WKFPFN281224RH	\$ 596
5	Wall Access Panel 28"H x 36"W Full Ht	WKHP2836	\$ 661
6	Credenza Top 66"W x 24"D for use w/Trough	WKWSCW6624	\$ 443
7	36"W External Support Channel for 48"W Worksurface	Z5SC48	\$ 52
TOTAL			\$ 6,000



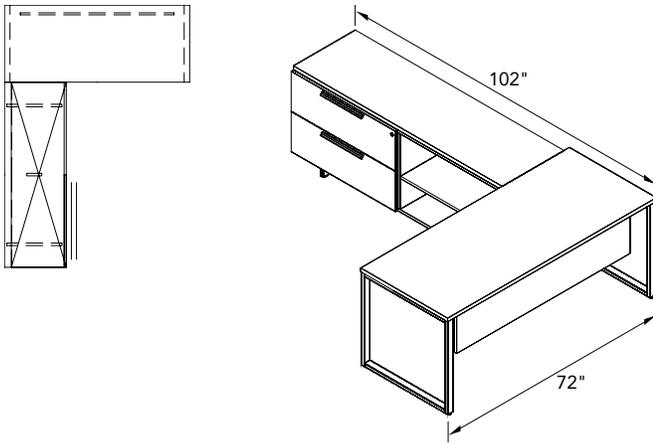
Traditional U — Single Ped Desk & Credenza 96" x 66"

Line Item	Product Description	Model Number	List Price
1	Single Ped Desk 66"W x 30"D LH BBF w/Mod Panel	WKDUFN296630LH-BBF	\$ 2340
2	Bridge 42"W x 24"D w/Half Mod Panel	WKAUBG4224	\$ 711
3	Support Ped 18"W x 24"D FF w/Trough Cut No Back Panel	WKPSFN281824-FF	\$ 1153
4	False Ped 12"W x 24"D LH	WKFPFN281224LH	\$ 596
5	Wall Access Panel 28"H x 36"W Full Ht	WKHP2836	\$ 661
6	Credenza Top 66"W x 24"D for use w/Trough	WKWSCW6624	\$ 443
7	36"W External Support Channel for 48"W Worksurface	Z5SC48	\$ 52
TOTAL			\$ 5,956



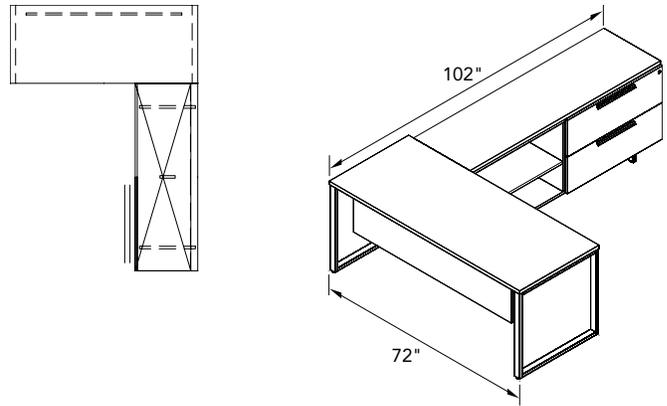
Traditional U — Single Ped Desk & Credenza 66" x 96"

Line Item	Product Description	Model Number	List Price
1	Single Ped Desk 66"W x 30"D RH BBF w/Mod Panel	WKDUFN296630RH-BBF	\$ 2340
2	Bridge 42"W x 24"D w/Half Mod Panel	WKAUBG4224	\$ 711
3	Support Ped 18"W x 24"D FF w/Trough Cut No Back Panel	WKPSFN281824-FF	\$ 1153
4	False Ped 12"W x 24"D RH	WKFPFN281224RH	\$ 596
5	Wall Access Panel 28"H x 36"W Full Ht	WKHP2836	\$ 661
6	Credenza Top 66"W x 24"D for use w/Trough	WKWSCW6624	\$ 443
7	36"W External Support Channel for 48"W Worksurface	Z5SC48	\$ 52
TOTAL			\$ 5,956



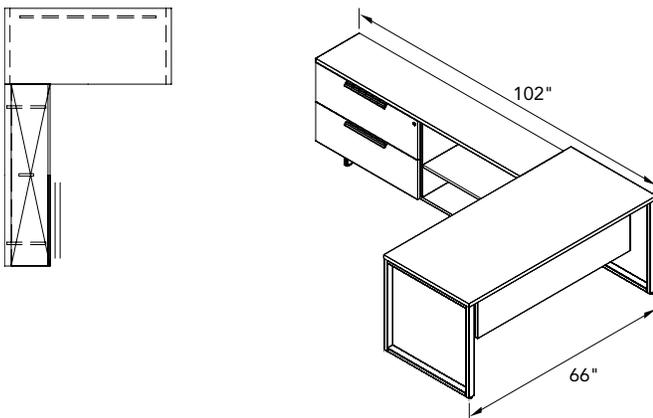
Light Scale L — Table Desk & Credenza 102" x 72"

Line Item	Product Description	Model Number	List Price
1	Table Desk 72"W x 30"D with O-Legs	WKT DOL297230	\$ 1864
2	Credenza 72"W x 24"D Lateral File / Open Shelf w/Trough	WKCUF □ 287224-LFOS	\$ 2749
3	Credenza Top 72"W x 24"D for use w/Trough	WKWSCW7224	\$ 469
TOTAL			\$ 5,082



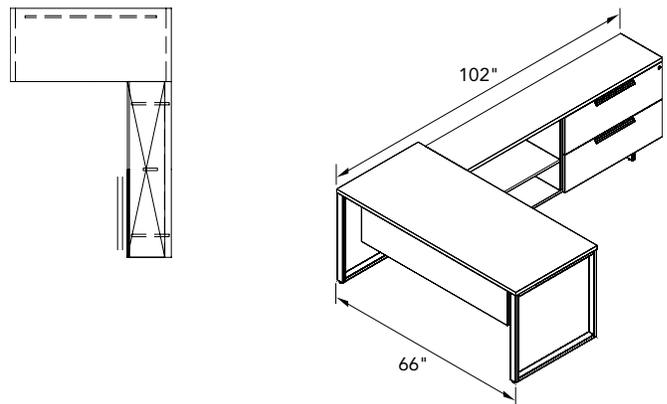
Light Scale L — Table Desk & Credenza 72" x 102"

Line Item	Product Description	Model Number	List Price
1	Table Desk 72"W x 30"D with O-Legs	WKT DOL297230	\$ 1864
2	Credenza 72"W x 24"D Open Shelf / Lateral File w/Trough	WKCUF □ 287224-OSLF	\$ 2749
3	Credenza Top 72"W x 24"D for use w/Trough	WKWSCW7224	\$ 469
TOTAL			\$ 5,082



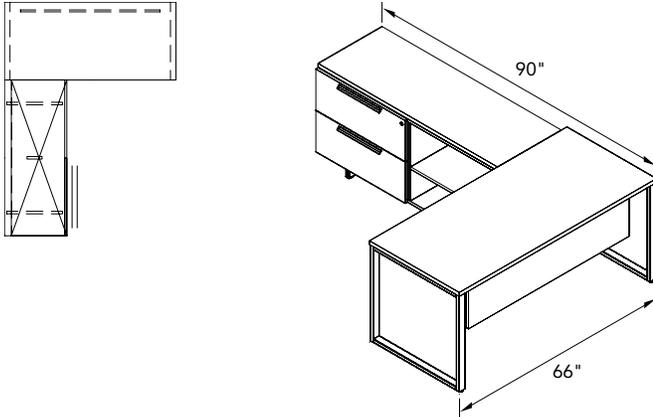
Light Scale L — Table Desk & Credenza 102" x 66"

Line Item	Product Description	Model Number	List Price
1	Table Desk 66"W x 30"D with O-Legs	WKT DOL296630	\$ 1810
2	Credenza 72"W x 18"D Lateral File / Open Shelf w/Trough	WKCUF □ 287218-LFOS	\$ 2685
3	Credenza Top 72"W x 18"D for use w/Trough	WKWSCW7218	\$ 443
TOTAL			\$ 4,938



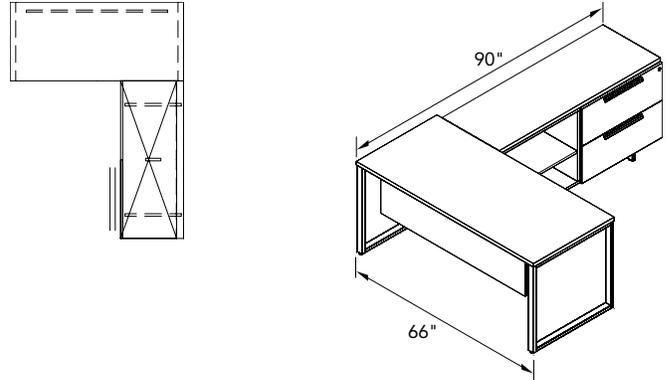
Light Scale L — Table Desk & Credenza 66" x 102"

Line Item	Product Description	Model Number	List Price
1	Table Desk 66"W x 30"D with O-Legs	WKT DOL296630	\$ 1810
2	Credenza 72"W x 18"D Open Shelf / Lateral File w/Trough	WKCUF □ 287218-OSLF	\$ 2685
3	Credenza Top 72"W x 18"D for use w/Trough	WKWSCW7218	\$ 443
TOTAL			\$ 4,938



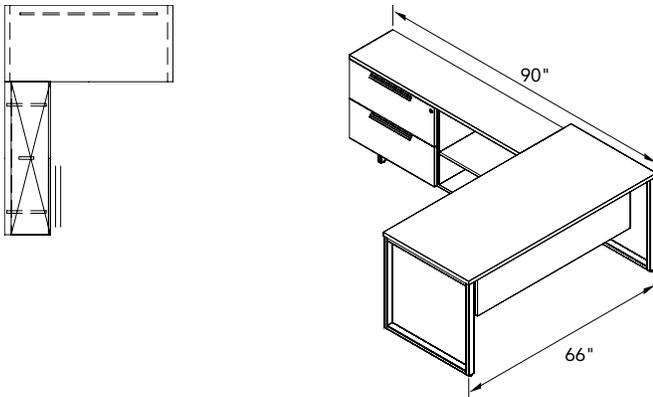
Light Scale L — Table Desk & Credenza 90" x 66"

Line Item	Product Description	Model Number	List Price
1	Table Desk 66"W x 30"D with O-Legs	WKTDOL296630	\$ 1810
2	Credenza 60"W x 24"D Lateral File / Open Shelf w/Trough	WKCUF □ 286024-LFOS	\$ 2658
3	Credenza Top 60"W x 24"D for use w/Trough	WKWSCW6024	\$ 426
TOTAL			\$ 4,894



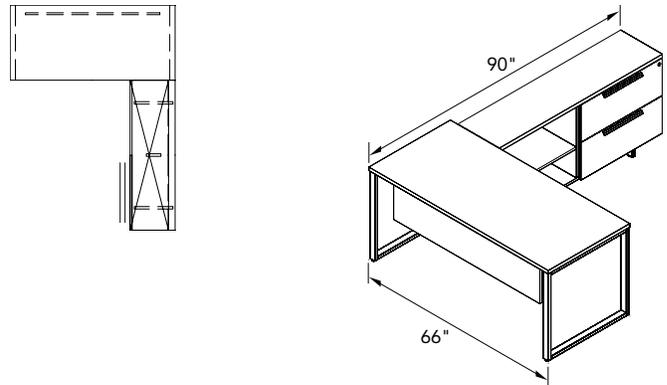
Light Scale L — Table Desk & Credenza 66" x 90"

Line Item	Product Description	Model Number	List Price
1	Table Desk 66"W x 30"D with O-Legs	WKTDOL296630	\$ 1810
2	Credenza 60"W x 24"D Open Shelf / Lateral File w/Trough	WKCUF □ 286024-OSLF	\$ 2658
3	Credenza Top 60"W x 24"D for use w/Trough	WKWSCW6024	\$ 426
TOTAL			\$ 4,894



Light Scale L — Table Desk & Credenza 90" x 66"

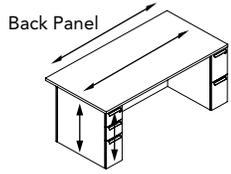
Line Item	Product Description	Model Number	List Price
1	Table Desk 66"W x 30"D with O-Legs	WKTDOL296630	\$ 1810
2	Credenza 60"W x 18"D Lateral File / Open Shelf w/Trough	WKCUF □ 286018-LFOS	\$ 2596
3	Credenza Top 60"W x 18"D for use w/Trough	WKWSCW6018	\$ 402
TOTAL			\$ 4,808



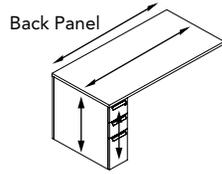
Light Scale L — Table Desk & Credenza 66" x 90"

Line Item	Product Description	Model Number	List Price
1	Table Desk 66"W x 30"D with O-Legs	WKTDOL296030	\$ 1810
2	Credenza 60"W x 18"D Open Shelf / Lateral File w/Trough	WKCUF □ 286018-OSLF	\$ 2596
3	Credenza Top 60"W x 18"D for use w/Trough	WKWSCW6018	\$ 402
TOTAL			\$ 4,808

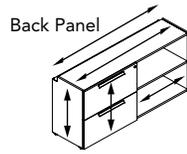
Grain direction of woodgrain laminate is indicated below.



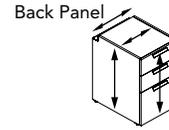
Desks



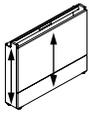
Desking Runoff



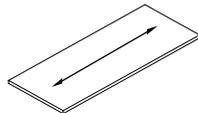
Credenzas



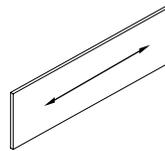
Pedestals



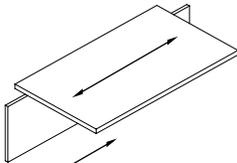
Wall Access Panel



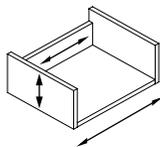
Tops & Worksurfaces



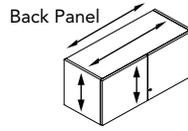
Modesty Panels
& Finished Backs



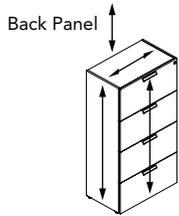
Bridges



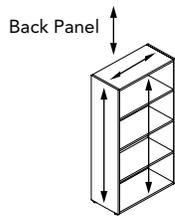
Cubby Storage



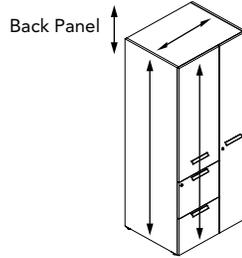
Wall Cabinet
Overheads



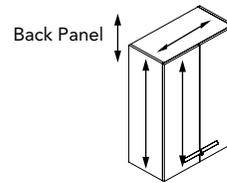
Lateral Files



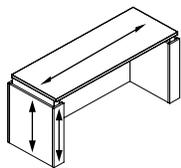
Bookcases



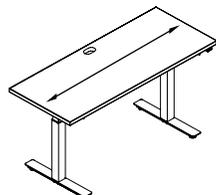
Towers



Stack-On Storage



Height-Adjustable
Shrouded Desk



Height-Adjustable
Table

APPROACH DIMENSIONS		EXTERNAL DIMENSIONS			INTERNAL DIMENSIONS			
Description	Style	Width	Depth	Height	Location	Height	Width	Depth
Credenza Full Height Non-footed	Open/Hinged Door	30" / 60"*	17¼" / 18"	28⅝"	Total	26⅝"	28⅝"	14⅝"
		36" / 72"*	23¼" / 24"		Above shelf	12⅝"	34⅝"	19"
					Below shelf	12¾"		
	Lateral File	30" / 60"*	18"	28⅝"	Top Drawer (Lat)	12⅝"	26⅝"	12⅝"
		36" / 72"*	24"		Bottom Drawer (Lat)	12⅝"	32⅝"	15"
	Multi File	30" (Shelf)	18" (Shelf)	28⅝"	Cubby Shelf	6"	13⅝"	14⅝"
			24" (Shelf)					19"
		30" (Drawers)	Box		Top Drawer (Box)	5⅝"	26⅝"	13"
			18" (Lat)		Bottom Drawer (Lat)	12⅝"		12⅝"
			24" (Lat)					15"
	Open shelf/Box/File	30" (Shelf)	18" (Shelf)	28⅝"	Top shelf	6⅝"	28½"	14½"
		36" (Shelf)	24" (Shelf)				34½"	19"
		30" (Drawers)	Box		Top Drawer (Box)	5⅝"	26⅝"	13"
		36" (Drawers)	18" (Lat)		Bottom Drawer (Lat)	12⅝"	32⅝"	12"
		24" (Lat)					15"	
Credenza Full Height Footed	Open/Hinged Door	30" / 60"*	17¼" / 18"	28⅝"	Total	22½"	28½"	14½"
		36" / 72"*	23¼" / 24"		Above shelf	10⅝"	34½"	19"
					Below shelf	10⅝"		
	Lateral File	30" / 60"*	18"	28⅝"	Top Drawer (Lat)	10⅝"	26⅝"	12"
		36" / 72"*	24"		Bottom Drawer (Lat)	10⅝"	32⅝"	15"
	Box/Box/File	30"	Box	28⅝"	Top Drawer (Box)	4⅝"	26⅝"	13"
		36"			Middle Drawer (Box)	4⅝"	32⅝"	
			18" (Lat)		Bottom Drawer (Lat)	10⅝"		12"
			24" (Lat)					15"
	Multi File	30" (Shelf)	18" (Shelf)	28⅝"	Cubby Shelf	4⅝"	13⅝"	14½"
			24" (Shelf)					19"
		30" (Drawers)	Box		Top Drawer (Box)	4⅝"	26⅝"	13"
			18" (Lat)		Bottom Drawer (Lat)	10⅝"		12"
			24" (Lat)					15"
Credenza Layered Height Non-Footed	Open/Hinged Door	30" / 60"*	17¼" / 18"	24¼"	Total	22½"	28½"	14½"
		36" / 72"*			Above shelf	9"	34½"	
					Below shelf	12¾"		
	Box/File	30" / 60"*	Box	24¼"	Top Drawer (Box)	8⅝"	26⅝"	13"
		(Drawers)						
		36" / 72"*	18" (Lat)		Bottom Drawer (Lat)	12⅝"	32⅝"	12"
		(Drawers)						
	Multi File	30" (Shelf)	18" (Shelf)	24¼"	Cubby Shelf	4⅝"	13¾"	14⅝"
30" (Drawers)		Depth		Top Drawer (Box)	3¼"	26⅝"	13"	
		18" (Lat)		Bottom Drawer (Lat)	12⅝"		12"	
		24" (Lat)					15"	
Credenza Layered Height Footed	Open/Hinged Door	30" / 60"*	17¼" / 18"	24¼"	Total	19"	28½"	14⅝"
		36" / 72"*			Above shelf	7¼"	34½"	
					Below shelf	10⅝"		
	Box/File	30" /	Box	24¼"	Top Drawer (Box)	6"	26⅝"	13"
		60"*(Drawers)						
		36" / 72"*	18" (Lat)		Bottom Drawer (Lat)	10⅝"	32⅝"	12"
	(Drawers)							
Skinny Pedestals	File/File	9½"	23¼" (File)	28⅝"	Top Drawer (File)	11½"	5¼"	15½"
			29¼" (File)		Bottom Drawer (File)	12¼"		25⅝"
	Box/Box/File	9½"	Box	28⅝"	Top Drawer (Box)	5¼"	5¼"	15½"
			23¼" (File)		Middle Drawer (Box)	6"		15½"
		29¼" (File)		Bottom Drawer (File)	12¼"		25⅝"	
Pedestals 18W – Full Height	Hinged Door	18"	18"	28⅝"	Total	26¼"	16½"	14⅝"
			24"		Above shelf	12⅝"		19"
					Below shelf	12¼"		
	File/File	18"	18"	28⅝"	Top Drawer (File)	12⅝"	14⅝"	12"
			24"		Bottom Drawer (File)	12¼"		15"
	Box/Box/File	18"	18" (Box)	28⅝"	Top Drawer (Box)	5⅝"	14⅝"	12"
			24" (Box)		Middle Drawer (Box)	6"		15"
			18" (File)		Bottom Drawer (File)	12¼"		12"
		24" (File)					15"	
Ped 18W – Layered Height	Box/File	18"	18" (Box)	24¼"	Top Drawer (Box)	8½"	14⅝"	12"
			18" (File)		Bottom Drawer (File)	12¼"		12"
Mobile Ped	Box/File	15¼"	20⅝" (Box)	21½"	Top Drawer (Box)	4½"	12"	14⅝"
			20⅝" (File)		Bottom Drawer (File)	10⅝"		15"

*On 60"W and 72"W units internal dimensions apply to each side of center support.

APPROACH DIMENSIONS		EXTERNAL DIMENSIONS			INTERNAL DIMENSIONS			
Description	Style	Width	Depth	Height	Location	Height	Width	Depth
Towers		18"	18"	56 ⁵ / ₈ "	4H – Top Shelf	12 ³ / ₈ "	16 ¹ / ₂ "	16 ³ / ₈ "
Hinged Door		30"	24"		4H – 2nd Shelf	12 ³ / ₈ "	28 ¹ / ₂ "	22 ³ / ₈ "
					4H – 3rd Shelf	13 ³ / ₈ "		
					4H – Bottom Shelf	13 ³ / ₈ "		
				71 ¹ / ₈ "	5H – Top Shelf	12 ³ / ₈ "		
					5H – 2nd Shelf	12 ³ / ₈ "		
					5H – 3rd Shelf	14 ¹ / ₂ "		
					5H – 4th Shelf	13 ³ / ₈ "		
					5H – Bottom Shelf	13 ³ / ₈ "		
Towers		30"	18"	71 ¹ / ₈ "	Closet Side	69 ¹ / ₂ "	11 ¹ / ₄ "	16 ³ / ₈ "
Combo			24"		Top Shelf	12 ³ / ₈ "	16 ¹ / ₂ "	22 ³ / ₈ "
					2nd Shelf	12 ³ / ₈ "	14 ³ / ₈ "	12"
					Bottom Shelf	15 ¹ / ₄ "		15"
					Top Drawer	12 ¹ / ₂ "		
					Bottom Drawer	12 ³ / ₈ "		
Towers		18"	18"	56 ⁵ / ₈ "	4H – Above top Shelf	42 ³ / ₈ "	17 ¹ / ₄ "	17 ¹ / ₄ "
Side Access			24"		4H – Bottom Shelf	12"		23 ¹ / ₄ "
				71 ¹ / ₈ "	5H – Above top Shelf	44 ³ / ₈ "		
					5H – Middle Shelf	12"		
					5H – Bottom Shelf	12"		
Stack-On		18"	15"	29 ¹ / ₈ "	4H – Top Shelf	12 ³ / ₈ "	16 ¹ / ₂ "	13 ³ / ₈ "
Storage		30"			4H – Bottom Shelf	12 ³ / ₈ "	28 ¹ / ₂ "	
Hinged Door		36"		42 ¹ / ₈ "	5H – Top Shelf	12 ³ / ₈ "	34 ¹ / ₂ "	
					5H – Middle Shelf	12 ³ / ₈ "		
					5H – Bottom Shelf	13 ³ / ₄ "		
Stack-On		18"	14 ¹ / ₄ "	29 ¹ / ₈ "	4H – Top Shelf	12 ³ / ₈ "	16 ¹ / ₂ "	13 ³ / ₈ "
Storage		30"			4H – Bottom Shelf	12 ³ / ₈ "	28 ¹ / ₂ "	
Open Shelf		36"		42 ¹ / ₈ "	5H – Top Shelf	12 ³ / ₈ "	34 ¹ / ₂ "	
					5H – Middle Shelf	12 ³ / ₈ "		
					5H – Bottom Shelf	13 ³ / ₄ "		
Stack-On		18"	15"	29 ¹ / ₈ "	4H – Top Shelf	13"	17 ¹ / ₄ "	13 ³ / ₈ "
Storage					4H – Bottom Shelf	11 ³ / ₄ "		
Side Access				42 ¹ / ₈ "	5H – Top Shelf	13"		
					5H – Middle Shelf	13"		
					5H – Bottom Shelf	13"		
Lateral Files	2H	30"	18 ³ / ₈ "	29 ¹ / ₂ "	2H – Top Drawer	13"	26 ³ / ₈ "	12"
		36"	24 ³ / ₈ "		2H – Top Drawer	12 ³ / ₈ "	32 ³ / ₈ "	15"
	3H	30"	18"	42 ¹ / ₄ "	3H – Top Drawer	12 ¹ / ₄ "	26 ³ / ₈ "	12"
		36"	24"		3H – Middle Drawer	12 ³ / ₈ "	32 ³ / ₈ "	15"
					3H – Bottom Shelf	12 ³ / ₈ "		
	4H	30"	18"	56 ⁵ / ₈ "	4H – Top Drawer	12 ³ / ₈ "	26 ³ / ₈ "	12"
		36"	24"		4H – 2nd Drawer	12 ³ / ₈ "	32 ³ / ₈ "	15"
					4H – 3rd Drawer	13"		
					4H – Bottom Drawer	12 ³ / ₈ "		
Bookcases	2H	30"	14 ¹ / ₄ "	29 ¹ / ₂ "	2H – Top Shelf	13 ³ / ₈ "	28 ¹ / ₂ "	13 ³ / ₈ "
Open Shelf					2H – Bottom Shelf	13 ³ / ₈ "		
	3H	30"	14 ¹ / ₄ "	42 ¹ / ₄ "	3H – Top Shelf	11 ³ / ₈ "	28 ¹ / ₂ "	13 ³ / ₈ "
					3H – Middle Shelf	13 ¹ / ₂ "		
					3H – Bottom Shelf	13 ³ / ₈ "		
	4H	30"	14 ¹ / ₄ "	56 ⁵ / ₈ "	4H – Top Shelf	12 ³ / ₈ "	28 ¹ / ₂ "	13 ³ / ₈ "
					4H – 2nd Shelf	12 ³ / ₈ "		
					4H – 3rd Shelf	13 ¹ / ₂ "		
					4H – Bottom Shelf	13 ³ / ₈ "		
	5H	30"	14 ¹ / ₄ "	71 ¹ / ₈ "	5H – Top Shelf	12 ³ / ₈ "	28 ¹ / ₂ "	13 ³ / ₈ "
					5H – 2nd Shelf	12 ³ / ₈ "		
					5H – 3rd Shelf	14 ¹ / ₂ "		
					5H – 4th Shelf	13 ¹ / ₂ "		
					5H – Bottom Shelf	13 ³ / ₈ "		
Overheads	Hinged 15"D	30"	See depth dimensions buy style at left	15 ¹ / ₈ "		12 ³ / ₈ "	28 ³ / ₈ "	13 ³ / ₈ "
Hinged Door	Glass 15 ¹ / ₄ "D	36"						34 ³ / ₈ "
& Open Shelf	Open 14 ³ / ₈ "D	60"*						28 ¹ / ₂ "
		72"*						34 ¹ / ₂ "
Sliding Door	Sliding 15 ¹ / ₈ "D	60"*		15 ¹ / ₈ "		12 ³ / ₈ "	28 ¹ / ₄ "	12 ¹ / ₄ "
		72"*					34 ³ / ₄ "	

*On 60"W and 72"W units internal dimensions apply to each side of center support.

Load Capacity for Approach Laminate Wood Storage

Unit	Style	Height	Width	Depth	Load Capacity	Location	
28"H Credenza Non-Footed	Open/ Hinged Door	28	30	18	88 lbs.	Shelf	
				24	117 lbs.	Shelf	
		28	30	36	18	107 lbs.	Shelf
				24	18	142 lbs.	Shelf
					18	66 lbs.	File
				36	18	82 lbs.	File
	24	100 lbs.	File				
	Lateral File	28	30	18	21 lbs.	Cubby shelf	
				24	28 lbs.	Cubby shelf	
		28	30	18	30 lbs.	Box	
				24	30 lbs.	Box	
				18	67 lbs.	File	
				24	83 lbs.	File	
	Open Shelf/ Box/File	28	30	18	43 lbs.	Top Shelf	
				24	57 lbs.	Top Shelf	
			36	18	18	52 lbs.	Top Shelf
					24	69 lbs.	Top Shelf
				30	18	30 lbs.	Box
					24	30 lbs.	Box
		36	18	18	37 lbs.	Box	
				24	37 lbs.	Box	
			30	18	18	67 lbs.	File
					24	83 lbs.	File
				36	18	18	82 lbs.
24						102 lbs.	File
28"H Full-Height Footed	Open/ Hinged Door	28	30	18	75 lbs.	Shelf	
				24	100 lbs.	Shelf	
		28	30	36	18	91 lbs.	Shelf
				24	18	121 lbs.	Shelf
					18	56 lbs.	File
				36	18	70 lbs.	File
	24	86 lbs.	File				
	Lateral File	28	30	18	25 lbs.	Box	
				24	25 lbs.	Box	
		28	30	36	18	31 lbs.	Box
				24	18	31 lbs.	Box
					18	56 lbs.	File
				36	18	70 lbs.	File
	24	69 lbs.	File				
	Box/Box/File	28	30	18	86 lbs.	File	
				24	86 lbs.	File	
		28	30	18	15 lbs.	Cubby Shelf	
				24	20 lbs.	Cubby shelf	
				18	26 lbs.	Box	
					24	26 lbs.	Box
	Multi-File	28	30	18	56 lbs.	File	
				24	70 lbs.	File	
		18	30	18	56 lbs.	File	
				24	70 lbs.	File	

Unit	Style	Height	Width	Depth	Load Capacity	Location			
24"H Credenza Non-Footed	Open/ Hinged Door	24	30	18	63 lbs.	Shelf			
				36	18	76 lbs.	Shelf		
	Box/File	24	30	18	50 lbs.	Box			
				36	18	61 lbs.	Box		
		24	30	18	67 lbs.	File			
				36	18	82 lbs.	File		
				Multi-File	24	30	18	15 lbs.	Cubby Shelf
							18	19 lbs.	Box
	18	30	18	67 lbs.	File				
			24	30	18	50 lbs.	Shelf		
	24"H Credenza Footed	Open Shelf/ Hinged Door	24	30	18	61 lbs.	Shelf		
					36	18	35 lbs.	Box	
Box/File		24	30	18	43 lbs.	Box			
				24	30	18	56 lbs.	File	
		36	18	18	69 lbs.	File			
				24	18	18 lbs.	File		
Pedestals	Slim 28"H File/File	28	9.5	24	18 lbs.	File			
				30	29 lbs.	File			
	Slim 28"H Box/Box/File	28	9.5	24	8 lbs.	Box			
				30	31 lbs.	File			
	18"W x 28"H Hinged Door	28	18	18	51 lbs.	Shelf			
				24	68 lbs.	Shelf			
18"W x 28"H File/File		28	18	18	36 lbs.	File			
				24	45 lbs.	File			
18"W x 28"H Box/Box/File	28	18	18	15 lbs.	Box				
			24	19 lbs.	Box				
	18	30	18	36 lbs.	File				
			24	45 lbs.	File				

CREDENZAS

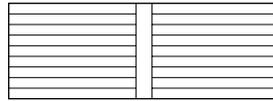
30"W or 60" W (2-30"W columns)

36"W or 72"W (2-36"W columns)

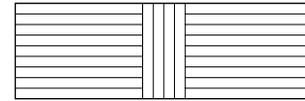
Front-to-Back Filing*

Outside tabs of folders rest on drawer sides.
Inside tabs of folders rest on filing bars included with unit.

Letter Size Hanging File Folders
(8½ x 11" documents)

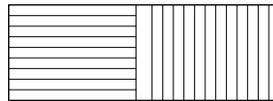


18"D Units – 24" of letter filing.
24"D Units – 30" of letter filing.

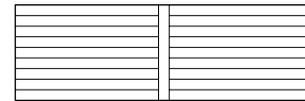


18"D Units – 24" of letter front-to-back filing, plus 8" of letter side-to-side filing.
24"D Units – 30" of letter front-to-back filing, plus 8" of legal side-to-side filing.

Legal Size Hanging File Folders
(8½ x 14" documents)



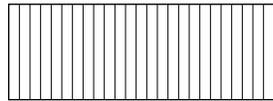
18"D Units – 12" of legal filing, plus 11" of letter side-to-side filing.
24"D Units – 26" of legal filing both front-to-back and side-to-side.



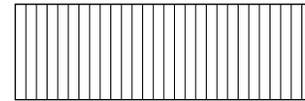
18"D Units – 24" of legal filing.
24"D Units – 30" of legal filing.

Side-to-Side Filing

Front folder tabs rest on drawer front. Back folder tabs rest on back of drawer on 18"D units for letter and 24"D units for legal; letter filing on 24"D, tabs rest on 2-12" filing bars resting on front-to-back bars (all 4 filing bars included with unit).



18"D Units – 26¾" of letter filing.
24"D Units – 24" of letter or 26¾" of legal filing.

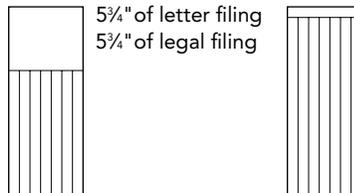


18"D Units – 32¾" of letter filing.
24"D Units – 24" of letter or 32¾" of legal filing.

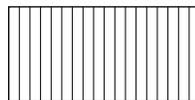
PEDESTALS

Side-to-Side Filing

Slim 24"D

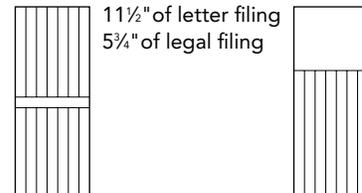


18"W x 18"D

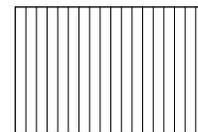


18"D Units – 14¾" of letter filing

Slim 30"D

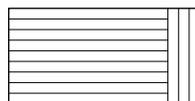


18"W x 24"D

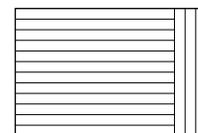


24"D Units – 14¾" of letter or legal filing

Front-to-Back Filing



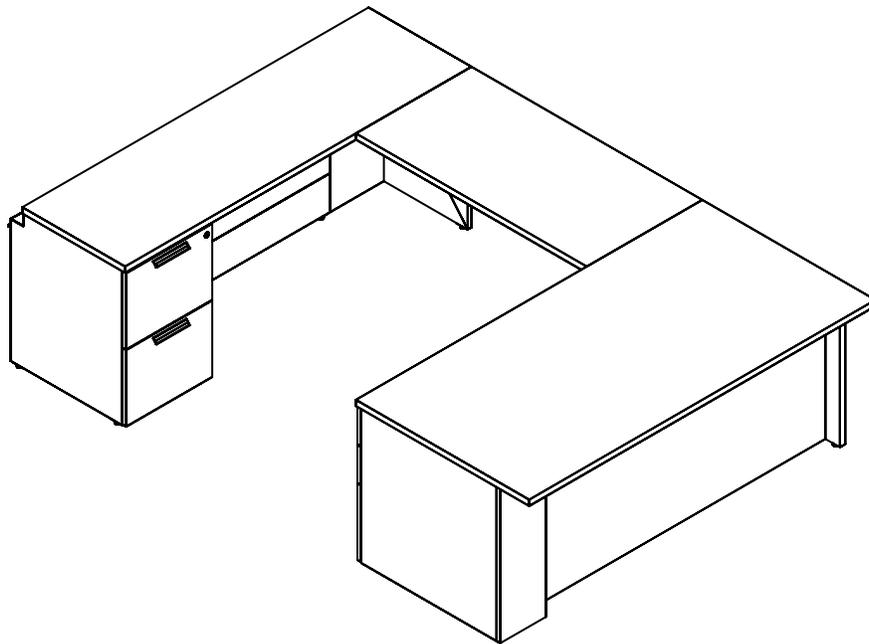
18"D Units – 12" of letter filing, plus 2" of side-to-side letter filing



24"D Units – 15" of letter filing, plus 2" of legal side-to-side filing

Approach General Construction

- Cases are made of $\frac{3}{4}$ " particle board with 0.5mm edgeband. Worksurfaces and end supports are made of $1\frac{1}{8}$ " particle board with 2mm edgeband and laminate on both sides of all surfaces.
- Matching laminate fronts — all vertically stacked sets have grain matched parts. Horizontally adjacent units do not match.
- Box and file drawers are miter fold, $\frac{1}{2}$ " thick particle board.
- All Drawers lock
 - Lock is located in the top right corner of upper drawer on credenzas, desks, and skinny peds. Drawer locks all drawers in the vertical stack.
 - Mobile ped lock is in upper right corner of bottom drawer.
 - Omit core and keyed alike options. Omit core option ships with standard lock cores installed, customer is credited to order keyed alike cores to be replaced at installation.
 - Lock core color is Matte Silver.
- Not all doors lock, see product categories for details.
- All drawer units have holes drilled for pulls
 - User selects pull choice of square, arch, or bar. Bar pull can be specified as Brilliant White, Silver, or Black.
 - Pulls are 1" to hole center from top of drawer
- Adjustable shelves are $\frac{3}{4}$ " laminate and have 3 hole adjustable positions with $1\frac{1}{4}$ " (32mm) hole spacing. One above and one below location specified in internal dimensioning table.
- Left-hand (LH) hinged units have hinges located on the left of the unit, right-hand (RH) hinged units have hinges on the right.
- Case end panels are the same depth regardless if fronts are assembled.
- Some models require counterweight — see specification table on page 23.



Counterweights

Counterweight(s) may need to be added to Approach credenzas and storage depending on configuration and usage. Models that may require counterweights are flagged with a number sign # following the model number in the pricing section. Reference model and intended usage column in chart below. Some models require two counterweights. Open shelf and hinged door models do not require counterweights and are not listed.

* Freestanding unit is considered a unit only in contact with the floor via the glides/feet

** Freestanding with worksurface is considered a freestanding unit with a worksurface the same width and depth as the unit itself. (ie, 30W x 24D unit with a 30W x 24D credenza worksurface applied to the top.

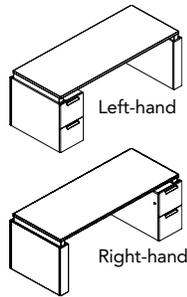
*** Connected by worksurface refers to a 30/36W credenza unit, connected to another credenza unit that is non-drawerred via properly installed worksurface.

Approach Counterweight Kits — See page 59

Model	Description	List Price
WKCACW25	25 lb. Counterweight Kit	\$ 185
WKCACW35	35 lb. Counterweight Kit	\$ 245
WKCACW50	50 lb. Counterweight Kit	\$ 275
WKCACW65	65 lb. Counterweight Kit	\$ 325

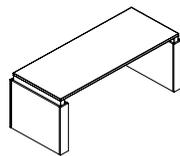
Model #	*Freestanding Unit Needs	**Freestanding With Worksurface Needs	***Connected by Worksurface Needs
WKCSFN243018-BF	35	25	
WKCSFN243018-MF	65	50	
WKCSFN243618-BF	65	50	
WKCSFN283018-LF	50	50	
WKCSFN283018-MF	50	35	
WKCSFN283018-OSBF	65	50	
WKCSFN283024-LF	65	50	
WKCSFN283024-MF	50	35	
WKCSFN283024-OSBF	65	50	
WKCSFN283618-LF	50	35	
WKCSFN283618-OSBF	50	35	
WKCSFN283624-LF	60	50	
WKCSFN283624-OSBF	50	35	
WKCSFY243018-BF	50	35	
WKCSFY243618-BF	50	35	
WKCSFY283018-BBF	65+50	50+50	
WKCSFY283018-LF	50+50	50+35	
WKCSFY283018-MF	50	35	
WKCSFY283018-OSBF			
WKCSFY283024-BBF	50+35	50+25	
WKCSFY283024-LF	35	25	
WKCSFY283024-MF	50	35	
WKCSFY283024-OSBF			
WKCSFY283618-BBF	65+50	50+50	
WKCSFY283618-LF	50	35	
WKCSFY283618-OSBF			
WKCSFY283624-BBF	50+35	50+25	
WKCSFY283624-LF	65	50	
WKCSFY283624-OSBF			
WKCUFN246018-BFBF	50+50	65	25
WKCUFN246018-BFHD	35	25	
WKCUFN246018-BFOS	35	25	
WKCUFN246018-HDBF	35	25	
WKCUFN246018-OSBF	35	25	
WKCUFN247218-BFBF	65+65	50+50	25
WKCUFN247218-BFHD	25	25	
WKCUFN247218-BFOS	25	25	
WKCUFN247218-HDBF	25	25	
WKCUFN247218-OSBF	25	25	
WKCUFN286018-HDLF	25	25	
WKCUFN286018-LFHD	25	25	
WKCUFN286018-LFLF	50+50	65	
WKCUFN286018-LFOS	25	25	
WKCUFN286018-OSLF	25	25	
WKCUFN286024-HDLF	25	25	
WKCUFN286024-LFHD	25	25	
WKCUFN286024-LFLF	65	50	

Model #	*Freestanding Unit Needs	**Freestanding With Worksurface Needs	***Connected by Worksurface Needs
WKCUFN286024-LFOS	25	25	
WKCUFN286024-OSLF	25	25	
WKCUFN287218-HDLF	25	25	
WKCUFN287218-LFHD	25	25	
WKCUFN287218-LFLF	50+25	50	
WKCUFN287218-LFOS	25	25	
WKCUFN287218-OSLF	25	25	
WKCUFN287224-HDLF	25	25	
WKCUFN287224-LFHD	25	25	
WKCUFN287224-LFLF	50+25	50	
WKCUFN287224-LFOS	25	25	
WKCUFN287224-OSLF	25	25	
WKCUFY246018-BFBF	65+65	50+50	25
WKCUFY246018-BFHD	50	35	
WKCUFY246018-BFOS	50	35	
WKCUFY246018-HDBF	50	35	
WKCUFY246018-OSBF	50	35	
WKCUFY247218-BFBF	65+65	50+50	25
WKCUFY247218-BFHD	35	25	
WKCUFY247218-BFOS	35	25	
WKCUFY247218-HDBF	35	25	
WKCUFY247218-OSBF	35	25	
WKCUFY286018-HDLF	35	25	
WKCUFY286018-LFHD	35	25	
WKCUFY286018-LFLF	50+50	50+35	25
WKCUFY286018-LFOS	35	25	
WKCUFY286018-OSLF	35	25	
WKCUFY286024-HDLF	25		
WKCUFY286024-LFHD	25		
WKCUFY286024-LFLF	65+65	50+25	25
WKCUFY286024-LFOS	25		
WKCUFY286024-OSLF	25		
WKCUFY287218-HDLF	25	25	
WKCUFY287218-LFHD	25	25	
WKCUFY287218-LFLF	65+65	50+50	25
WKCUFY287218-LFOS	25	25	
WKCUFY287218-OSLF	25	25	
WKCUFY287224-HDLF	25		
WKCUFY287224-LFHD	25		
WKCUFY287224-LFLF	50+50	65	25
WKCUFY287224-LFOS	25		
WKCUFY287224-OSLF	25		
WKPSFN281818-BBF	25		
WKPSFN281824-BBF	25		
WKPSFN281818-FF	25		
WKPSFN281824-FF	25		



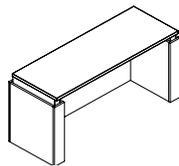
Pedestal/Shroud Height-Adjustable Desk (page 40)

- Available in RH and LH orientations, hand is determined by location of ped, RH Ped = RH Desk.
- 72" W x 36" D, 72" W x 30" D, and 66" W x 30" D desks available.
- Both depths use same 30" support shroud and RH or LH pedestal shroud (included).
- Desk footprint dimensions are nominal. Example: 72" W x 30" D required for space planning. Worksurfaces are undersized by 1" on all sides to prevent pinch points when raising and lowering worksurface.
- Laminate finish options include top, chassis, and front.
- User can specify grommet locations (L Left, R Right, B Both, C Centered, X None). See page 25.
- Laminate shroud remains on ground. 2" of leveling.
- Metal shroud (Flint only) attaches to and rises with worksurface.
- Laminate File/File ped remains on the ground. 3/4" of leveling.
- Both drawers lock via side lock.
- Height-adjustable mechanism provides 27 3/4"-47 3/8" of adjustability.
- Height-adjustable mechanism is same as used on Altitude® tables. Reference the Altitude series in Tables price list for additional specification information.
- Standard up/down control shipped with unit. Able to upgrade to programmable 3-position control. See page 61.
- Ships flat in multiple cartons for field assembly.
- Specify optional modesty panel 24" shorter than worksurface width.



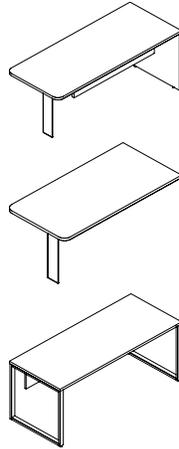
Double Shroud Height-Adjustable Desk (page 40)

- 72" W x 36" D, 72" W x 30" D, and 66" W x 30" D desks available.
- Both depths use same 30" D support shroud.
- Desk footprint dimensions are nominal. Example: 72" W x 30" D required for space planning. Worksurfaces are undersized by 1" on all sides to prevent pinch points when raising and lowering worksurface.
- Laminate finish options include top, chassis, and front.
- User can specify grommet locations (L Left, R Right, B Both, C Centered, X None). See page 25.
- Laminate shroud remains on ground. 2" of leveling.
- Metal shroud (Flint only) attaches to and rises with worksurface.
- Height-adjustable mechanism provides 27 3/4"-47 3/8" of adjustability.
- Height-adjustable mechanism is same as used on Altitude® tables. Reference the Altitude series in Tables price list for additional specification information.
- Standard up/down control shipped with unit. Able to upgrade to programmable 3-position control. See page 61.
- Ships flat in multiple cartons for field assembly.
- Specify optional modesty panel 12" shorter than worksurface width.



24" D Height-Adjustable Work Wall Desk with Full-Height Modesty Panel (page 40)

- 48", 54", 60", 66", and 72" W desks available.
- Desk footprint dimensions are nominal. Example: 72" W x 24" D required for space planning. Worksurfaces are undersized by 1" on all sides to prevent pinch points when raising and lowering worksurface.
- Laminate finish options include top, chassis, and front.
- User can specify grommet locations (L Left, R Right, B Both, C Centered, X None). See page 25.
- Includes laminate shrouds that remain on ground. 2" of leveling.
- Metal shroud (Flint only) attaches to and rises with worksurface.
- Laminate modesty ties into the laminate shrouds and remains on the ground. Modesty is not intended to be viewed from back.
- Metal modesty (Flint only) attaches and rises with the worksurface.
- Height-adjustable mechanism provides 27 3/4"-47 3/8" of adjustability.
- Height-adjustable mechanism is same as used on Altitude® tables. Reference the Altitude series in Tables price list for additional specification information.
- Standard up/down control shipped with unit. Able to upgrade to programmable 3-position control. See page 61.
- Ships flat in multiple cartons for field assembly.



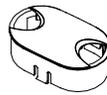
Racetrack Top Desks with End Panel, Half-Height Modesty, and Column Base (page 40)

- 30" D, non-handed.
- 72" and 66" W models have end panel support, 29½" H support column, center half-modesty, and bracket to attach to a worksurface or desk.
- 48", 54", and 60" W models have 29½" H support column and bracket to attach to existing supported worksurface.
- Column support end has 3" round corners.
- Ships flat in multiple cartons for field assembly.

O-leg Table Desks (page 40)

- 30" D x 66" or 72" W.
- Laminate finish options include top, chassis, and front.
- User can specify grommet locations (L Left, R Right, B Both, C Centered, X None). See page 25.
- O-legs installed on both ends of worksurface.
- Inset ¼" from end of worksurface.
- See notes on O-leg for leveling and dimensions.
- Half-height modesty is 12" shorter than worksurface width. Attaches to external stiffener on worksurface.
- Ships flat in multiple cartons for field assembly.

GROMMET SPECIFICATIONS

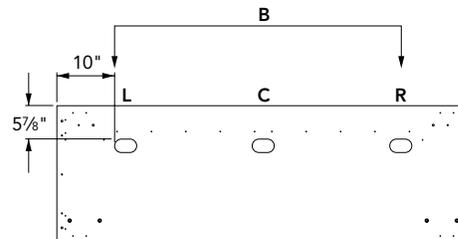


Grommets

Plastic grommets are made of durable ABS plastic and match edge color of laminate worksurfaces. Metal grommets are available in oval or square in Matte Silver.

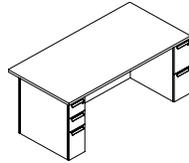
Grommet Position Option Codes

- B** Both Left and Right — Pair of grommets each 10" from side edge – 5⅞" from approach side to grommet edge; 7¼" from rear to grommet center.
- C** Centered Side-to-Side — One grommet 5⅞" from approach side to grommet edge; 7¼" from approach side to grommet center.
- L** 10" from Left Side — 5⅞" from approach side to grommet edge; 7¼" from approach side to grommet center.
- R** 10" from Right Side — 5⅞" from approach side to grommet edge; 7¼" from approach side to grommet center.
- X** No grommet.



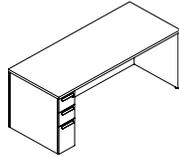
Rectangular Top

Grommet positions other than those shown above are considered non-standard.



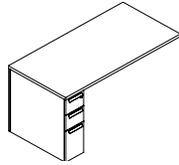
Double Ped Desk (page 41)

- 36" D x 72" W, ped base is 29 3/4" D.
- Laminate finish options include top, chassis, and front.
- User can specify grommet locations (L Left, R Right, B Both, C Centered, X None). See page 25.
- Box/Box/File on left and File/File on right from main user view.
- Full Height modesty, ties into both ped end panels 9" from back of worksurface.



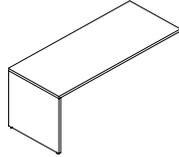
Single Ped Desks (page 41)

- Right- and left-hand versions
- RH = ped on right side from main user view
- LH = ped on left side from main user view
- Laminate finish options include top, chassis, and front.
- User can specify grommet locations (L Left, R Right, B Both, C Centered, X None). See page 25.
- Box/Box/File only — slim peds (9 1/2" width), see notes on slim peds for dimensions and leveling.
- Panel base (1 3/8" thick) is opposite the storage.
- Half- or full-height modesty panel options, designated by dot option. Modesty panel ties into both end panel and pedestal.
- 30" D x 60", 66", or 72" W
 - Ped and panel base are both 29 3/4" in depth.
 - Modesty panel is 3" from back of worksurface.
- 36" D x 72" W
 - Ped base is 29 3/4" deep. Panel base is 35 3/4" deep.
 - Modesty panel is 9" from back of worksurface.



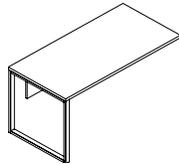
Pedestal Run-off Desks (page 41)

- 30"D x 48", 54", 60", 66", or 72"W
- Right- and left-hand models.
- Laminate finish options include top, chassis, and front.
- User can specify grommet locations (L Left, R Right, B Both, C Centered, X None). See page 25.
- Box/Box/File only — slim peds (9½" width), see notes on slim peds for dimensions and leveling.
- Half-height modesty panel attaches to ped end of panel 3" in from back of worksurface. Modesty is ¼" short on opposite end of support.



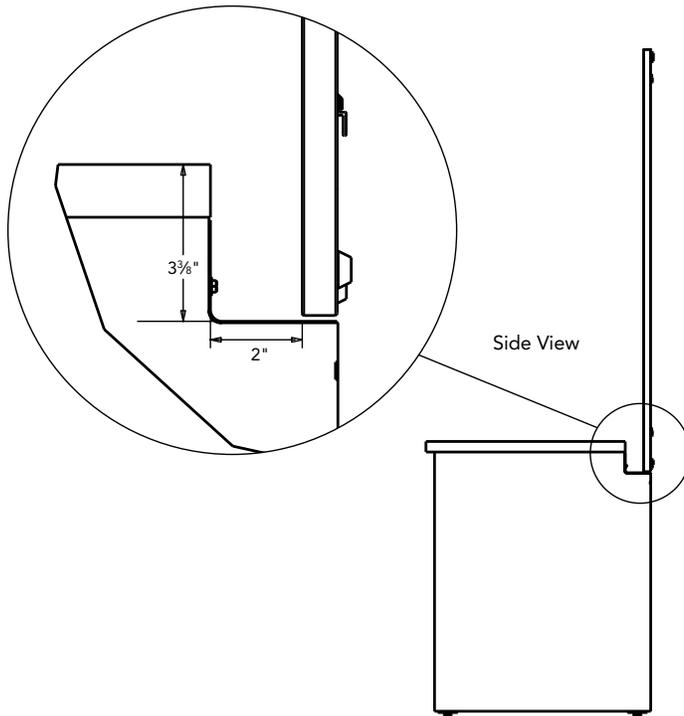
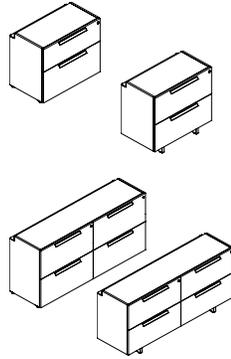
Support Panel Run-off Desks (page 41)

- 30"D x 48", 54", 60", 66", and 72"W
- Right- and left-hand models.
- Laminate finish options include top and chassis.
- User can specify grommet locations (L Left, R Right, B Both, C Centered, X None). See page 25.
- Support Panel is 1⅞" thick.
- Half-height modesty attaches to end panel, 3" from back of worksurface. Modesty is ¼" short on opposite end of support.
- Ships flat in multiple cartons for field assembly.



O-leg Run-off Desks (page 41)

- 30"D x 48", 54", 60", 66", 72", 78", and 84"W
- Non-handed, O-leg can be installed on either side of worksurface.
- Laminate finish options include top and chassis.
- User can specify grommet locations (L Left, R Right, B Both, C Centered, X None). See page 25.
- See notes on O-leg for leveling and dimensions.
- Half-height modesty is 12" shorter than worksurface width. Attaches to external stiffener on worksurface
- Ships flat in multiple cartons for field assembly.



Credenzas (pages 42-45)

- 30" W and 36" W units contain single column of drawers, open cavity or hinged doors. 60" W and 72" W units contain two columns of drawers, open cavities, hinged doors, or a combination of both.
- Full height 28 3/8" H, footed and non-footed, 18" D and 24" D. 29 1/2" H with added credenza worksurface.
- Layered height 24 3/4" H, footed and non-footed, 18" D. 25 5/8" H with added credenza worksurface.
- Laminate finish options include chassis and front.
- All drawers hidden behind single laminate front.
- Non-footed units contain 1 1/2" adjustable glides, footed units contain 3 1/4" adjustable glides.
- All units can be standalone with or without credenza top.
- Full extension file drawers extend 13 1/4" on 18" D models, and 17 1/4" on 24" D models.
- Some models require counterweight – see specification table on page 23.
- Vertically stacked units have mechanical interlock, allowing only one drawer to open at a time. Exception is Box/Box/File which allows bottom file drawer and top box drawers to open at the same time.
- Wire management trough
 - Trough is 2" D x 3 3/8" H with tackboard, see illustration at left.
 - Accessories available (ordered separately): Byrne mini tap, monitor arm, clamp style, light.
- All credenza models have a finished back option available for order. See page 47.
- One foot style option is available, feet are recessed 6" in from each side on 30" and 36" units, and 9" in from each side on 60" and 72" units.
- No ganging option available.
- Unit's ship assembled except for feet and pulls.



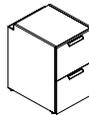
Mobile Pedestal (page 46)

- 21½"H x 15¾"W x 20"D.
- Laminate finish options include chassis and front.
- Box/File drawer configuration.
- Front-to-back filing capable without use of rails.
- Side-to-side filing available with use of file hangrails (included).
- Casters are recessed to provide clean aesthetic.
- Units ship assembled except casters and pulls.



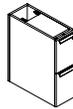
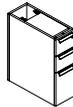
24\"/>

- 24¾"H x 18"W x 18"D.
- 25⅞"H with added laminate worksurface.
- Laminate finish options include chassis and front.
- Box/File drawer configuration.
- Front-to-back letter filing capable with use of file hangrail (included).
- Side-to-side letter filing available without use of rails.
- No interlock between drawers.
- Counterweight may be needed. See page 23.
- Finished backs available, see page 30.
- Units ship assembled except pulls.



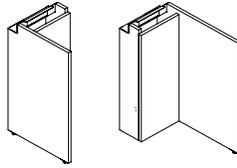
Support Pedestals (page 46)

- 28⅞"H x 18"W x 24" or 30"D.
- Box/Box/File and File/File drawer configurations.
- Laminate finish options include chassis and front.
- Same construction as credenza units.
- Support Pedestals with wire management trough do not have back panels.
- No interlock between drawers.
- Counterweight may be needed. See page 23.
- Finished backs available, see page 30.
- Units ship assembled except pulls.



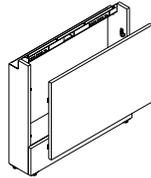
Slim Pedestals for Freestanding Desks (page 46)

- 28⅞"H x 9½"W x 24" or 30"D.
- Box/Box/File and File/File drawer configurations.
- Laminate finish options include chassis and front.
- Units must be mounted under worksurface, hardware included.
- Support Pedestals without wire management trough have back panels.
- Side-to-side filing available with hangrail (included). Narrow width does not permit front-to-back filing.
- Glides provide ¾" of adjustment
- Units ship assembled except pulls.



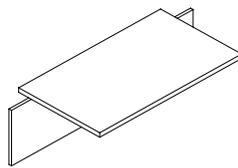
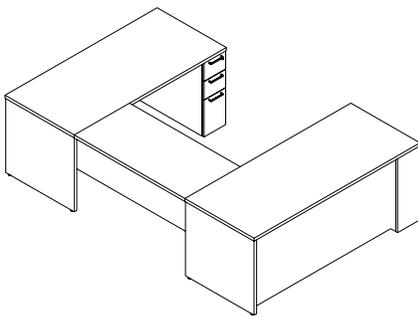
False Ped (page 47)

- 12"W x 28 $\frac{3}{8}$ "H
- End panel depth is 18" and 24"D.
- RH and LH options.
- Designed to be used adjacent to wall access panel.
- Aligns with wall access panel.
- Metal wire trough ships separately and attaches directly to worksurface.



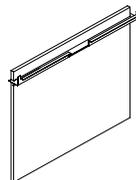
Wall Access Panel (page 47)

- Designed to be used adjacent to false ped and is non-handed.
- 24-48"W x 6 $\frac{1}{2}$ "D x 28 $\frac{3}{8}$ "H.
- $\frac{3}{4}$ " removable front.
- Metal wire trough ships separately and attaches directly to worksurface.



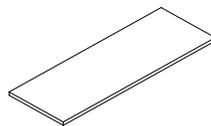
Bridge (page 47)

- 24"D x 42"W or 48"W
- Comes with 14"H modesty panel, which is 12" wider than the worksurface.
- Flat brackets onto both sides of fixed height adjacent units.



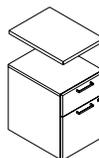
Back Panels (page 47)

- All credenzas have a finished back option available for order, see page 30.
 - All back panels are inset of credenza end panels.
 - Back panels include a filler piece for a clean back. Specify color options at time of order entry (colors are Black, Brilliant White and Silver to match pull or feet colors).
- 3 Heights available.
 - 20" is used on 24"H footed models, ex: **WKCSFY243018-BF**
 - 24" is used on 24"H non-footed models, ex: **WKCSFN243018-BF**
 - 24" is used on 28"H footed models, ex: **WKCSFY283624-LF**
 - 28" is used on 28"H non-footed models, ex: **WKCSFN283624-LF**



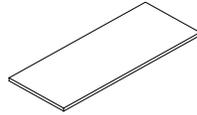
Credenza and Pedestal Tops (page 48)

- Tops are 1 $\frac{1}{8}$ " thick with 2MM Edgeband
- Width is nominal to size, (example 24" = 24.000")
- 18"D models are 15 $\frac{3}{8}$ "D to accommodate wire management trough.
- 24"D models are 21 $\frac{3}{8}$ "D to accommodate wire management trough.
- Tops ship with double sided tape supplied in hardware packs.
- Double sided tapes attach tops to top of credenza and pedestal units
- Tops must cover at least one storage unit, and may span multiple



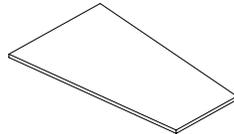
Credenza and Pedestal Cushions (page 46)

- A seat cushion can be placed on top of credenzas or 20"D mobile pedestals.
- Designed to fit flush with front of drawer fronts.
- Seat cushion adds approximately 2"H to credenza or pedestal.



Primary Worksurfaces (page 49)

- All Worksurfaces are 1/8" thick with 2MM edgeband.
- Width and depth are nominal to size, (example 24"W or 24"D = 24.000").
- Units longer than 48"W ship with external support stiffener.
- User can specify grommet locations (L Left, R Right, B Both, C Centered, X None). See page 25.
- User can specify grommet material (Plastic Oval, Metal Oval, Metal Rectangular).
- Plastic oval grommets automatically match worksurface edgeband selection.
- Includes pilot holes for standard supports and modesty panel locations.



Double Sightline Surfaces (page 49)

- Double Sightline Surfaces: 6 sizes, measure as (Width, Depth 1, Depth 2).

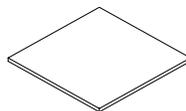
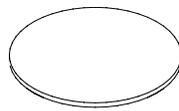


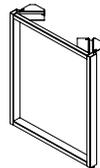
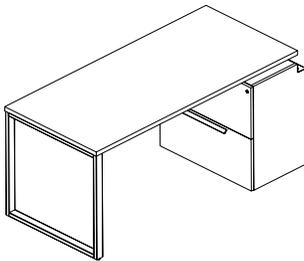
Table Top Worksurfaces (page 62)

- All Worksurfaces are 1/8" thick with 2MM Edgeband
- Reference table base specifications in Seating, Collaboration, and Tables price list for applicable models and size limitations
- Square Surfaces: 36", 42", and 48" available.
- Round Surfaces: 36", 42", and 48" available.



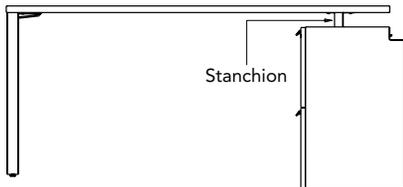
End Panels (page 50)

- 1/8" particleboard with laminate on both surfaces.
- 2MM edge band on all edges.
- 24", 30", and 36" depth.
- End panel matches worksurface depth.
- Actual depth is 23 3/4", 29 3/4", and 35 3/4" D.
- RH and LH options.
- Attaches to worksurface with cam/pin/dowel mechanical fastener.
- Must order same hand modesty panel to tie into support and worksurface.



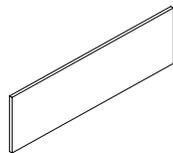
O-legs (page 50)

- 28 3/8"H x 24"D or 30"D.
- 1" x 2" steel tube construction welded to mounting brackets.
- Leveling glides with 2" of adjustability.
- Actual Depth is 23 3/4" and 29 3/4".
- Mounting plate width is 6", visual width is 2".
- Available in Black, Brilliant White, and Silver.



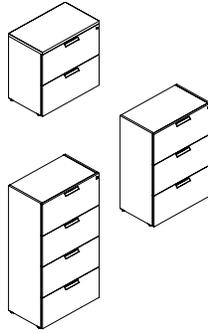
Stanchions (page 50)

- 12" and 18"D in two heights:
 - 24"D worksurface uses 12"D Stanchion.
 - 30"D and 36"D worksurfaces use 18"D Stanchion.
 - 4"H — credenza to primary worksurface
 - 3"H — credenza with top to primary worksurface
- Formed sheet metal construction, P02 Flint only.
- Attaches to upper worksurface with screws and double sided tape to lower worksurface/credenza. See illustration at left.



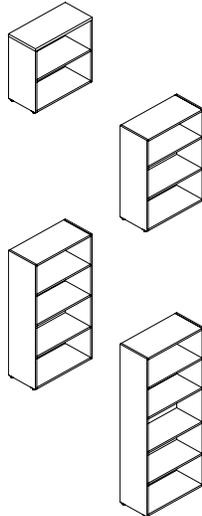
Modesty Panel (page 51)

- Modular, RH modesty Panel and LH modesty Panel version.
- Modular mounts to worksurface stiffener w/worksurface.
- RH and LH modesty panels must attach to RH or LH End Panel.
- Horizontal grain direction.
- 14"H x 30", 36", 42", 48", 54", 60", 66", and 72"W.



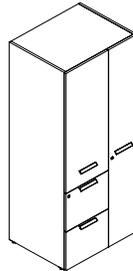
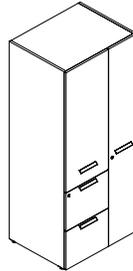
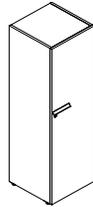
Freestanding Laterals (page 52)

- Laminate finish options include chassis and front.
- Ships assembled except for pulls.
- No footed option available.
- Outside overall dimensions:
 - Heights: 2H = 29½" H, 3H = 42¼" H, 4H = 56⅝" H
 - Widths and Depths: 30"W and 36"W; 18"D and 24"D with the exception of 2H which is 18⅞"D and 24⅞"D.
- 2H has 1⅞" top built-in to case construction.
- All units include interlock.
- Inner drawer dimensions and filing configurations are the same as credenzas. See page 20.
- Full extension file drawers: 13¼"D on 18"D, and 17¼"D on 24"D models.



Freestanding Bookcase (page 52)

- Laminate finish options include chassis.
- Outside overall dimensions:
 - Width is nominal to dimension (i.e. 30"W = 30") with the exception of 2H which is 30.04"W
 - Heights: 2H = 29½" H, 3H = 42¼" H, 4H = 56⅝" H, 5H = 71⅞" H.
 - Depth: 15"D = 14¼"D actual.
- Shelves:
 - 2H – 1 adjustable shelf
 - 3H – 2 adjustable shelves
 - 4H – 2 adjustable, 1 fixed shelf at worksurface height
 - 5H – 3 adjustable, 1 fixed shelf at worksurface height
 - Internal shelves are ¾" laminate and adjustable to three levels.
- 2H bookcase has built-in 1⅞" top.
- 1½" adjustable glides
- Pin-and-cam fasteners visible from the front are covered with cam covers.
- No footed option available for bookcases.

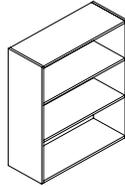
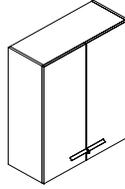


Towers (page 53)

- Laminate finish options include chassis and front.
- Ships assembled except for pulls and side access towers which are assembled in field.
- 1½" adjustable glides on all except side access which have ½" adjustment.
- No footed option available.
- Outside overall dimensions:
 - Width is nominal to dimension (i.e. 18"W = 18")
 - Heights: 4H = 56⅝"H, 5H = 71⅜"H
 - Depths: 18"D = 18" and 24"D = 24" from drawer front to rear edge of end panel. Open shelf units subtract ¾" for front thickness and gap.
- Pin-and-cam fasteners visible from the front and behind a door are covered with cam covers
- All towers contain 2 coat hooks.
- Hinged door
 - 2 coat hooks on back of door
 - Available in right-hand and left-hand configurations
 - Shelves:
 - 4H – 2 adjustable shelves and 1 fixed shelf
 - 5H – 3 adjustable shelves and 1 fixed shelf
 - Refer to page 18 for interior dimensions.
- Side access
 - 2 coat hooks
 - Available in right-hand and left-hand configurations
 - Shelves:
 - Fixed only
 - Refer to page 18 for interior dimensions.
- Combo
 - 5H only
 - 30W only
 - Depth: 18"D and 24"D
 - 18"D have 2 coat hooks, 24"D have a coat rod in wardrobe
 - Available in right-hand and left-hand configurations
 - 2 adjustable shelves behind hinged door
 - Refer to page 18 for interior dimensions.
 - File/File ped
 - File drawer interior dimensions and filing are the same as 18"W ped
- 30"W Wardrobe
 - 5H only
 - Depth: 18"D and 24"D.
 - 18"D have 2 coat hooks and 24"D have a coat rod
 - Shelves:
 - 3 adjustable, 1 fixed
 - Refer to page 18 for interior dimensions.

Cubby storage (page 53)

- 7"H x 14"D x 18", 24", or 30"W.
- Installs under a worksurface, hardware included.
- Ships flat for field assembly.

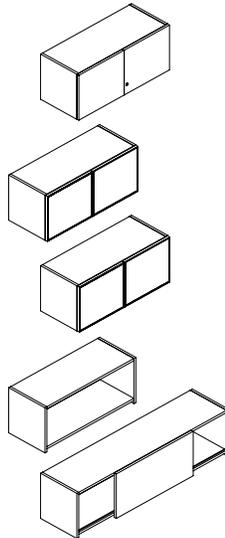


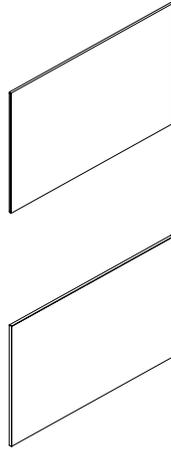
Stack-On Storage (page 54)

- Ships assembled except for pulls.
- Outside overall dimensions:
 - Width is nominal to dimension (i.e. 18"W = 18")
 - Heights: 4H = 29⁷/₈", 5H = 42¹/₈"
 - Depths: 15"D = 15" from drawer front to rear edge of end panel.
Open shelf units subtract 3/4" for front thickness.
- Laminate finish options include chassis and front on hinged door units and chassis on open and side access units.
- Shelves:
 - 4H = 1 adjustable
 - 5H = 2 adjustable
- Pin-and-cam fasteners visible from the front are covered with cam covers
- Units must be placed on top of 1¹/₈" thick worksurface and are attached with double-sided tape.
- 18"W hinged door available in right- and left-hand configurations.
- Side access available in right- and left-hand configurations.
- Writable front models available.
- Unit's ship with trough end cap (branded Allsteel), this is shipped with every stack-on, and intended to be used in an end condition.

Overheads (page 55)

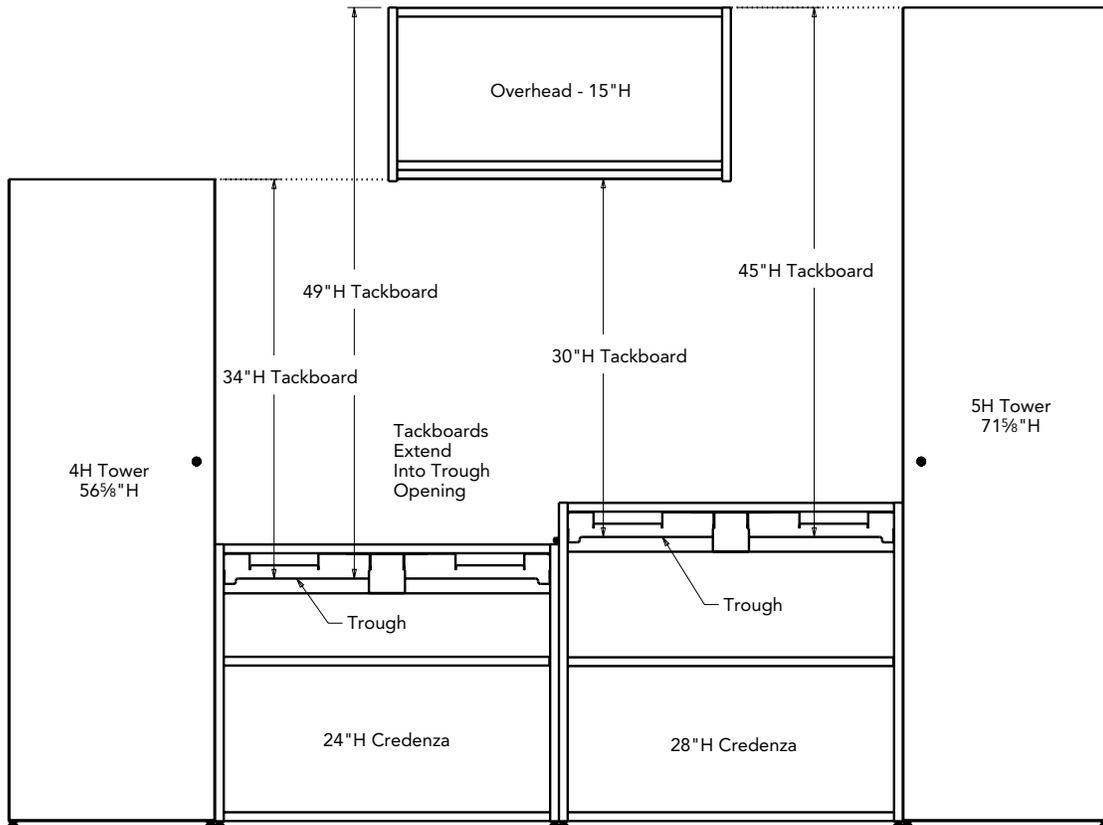
- Ship fully assembled.
- Laminate finish options include chassis and front.
- Wall mounted – standard – ships with hardware for unit connection to bracket. Hardware for bracket connection to wall is not included.
- Outside overall dimensions:
 - Widths: 30"W = 29 $\frac{1}{8}$ ", 36"W = 35 $\frac{1}{8}$ ", 60"W = 59 $\frac{1}{8}$ ", 72"W = 71 $\frac{1}{8}$ ".
 - Heights: 15"H = 15 $\frac{1}{8}$ "
 - Depths: 15"H = 15 $\frac{1}{8}$ " open case depth; 15 $\frac{1}{8}$ " for overheads with doors.
- Pin-and-cam fasteners visible from the front are covered with cam covers
- Hinged door — laminate
 - 30"W and 36"W (2 doors, 1 lock)
 - 60"W and 72"W (4 doors, 2 locks)
 - Locking — standard, omit, and non-locking options.
- Writable front hinged doors
 - 30"W and 36"W (2 doors)
 - 60"W and 72"W (4 doors)
 - Non-locking
- Hinged door with frosted glass
 - 30"W and 36"W (2 doors)
 - 60"W and 72"W (4 doors)
 - Non-locking
- Open
 - 30"W and 36"W
- Sliding door — one half-width laminate door
 - 60"W and 72"W cabinets.
 - Locking on left side only.
- Specify low profile LED task lights to mount beneath laminate overhead cabinets. See pages 70-72.

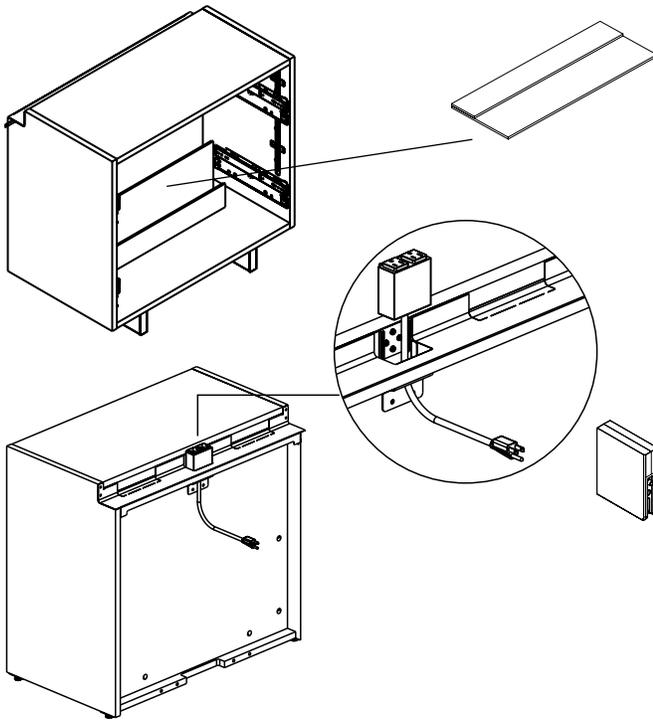




Tackboards and Writeable Boards (pages 56-58)

- Available in upholstered tackboards and writeable surface boards.
- Available to match 4H and 5H storage heights at layered and full height applications.
- Available 30"W - 96"W at 6" increments.
- Models greater than 60"W consist of multiple segments.
- If 4H tower unit is specified then use 4H board. Select height based on layered or full height credenza. See illustration at bottom.
- If 5H tower unit is specified then use 5H board. Select height based on layered or full height credenza. See illustration at bottom.
- If 5H tower unit is specified with an overhead unit then use 4H board. Select height based on layered or full height credenza. See illustration at bottom.
- Units are wall mounted using 'Z-Mounting' bracket.
- Tackboards and writeable surface boards are not meant to be used with finished back credenza kits.





Counterweight Kits (page 59)

- Counterweight is attached to the back of a pedestal or credenza to inhibit tipping. See illustration at left.
- Kits must be ordered separately (see page 23) based on type and depth of unit and are field-installed.
- Units that may require counterweight kits, depending on how they are configured, are flagged with a pound sign # after the model number listing on pages 42-46.

Mini-tap Power (page 59)

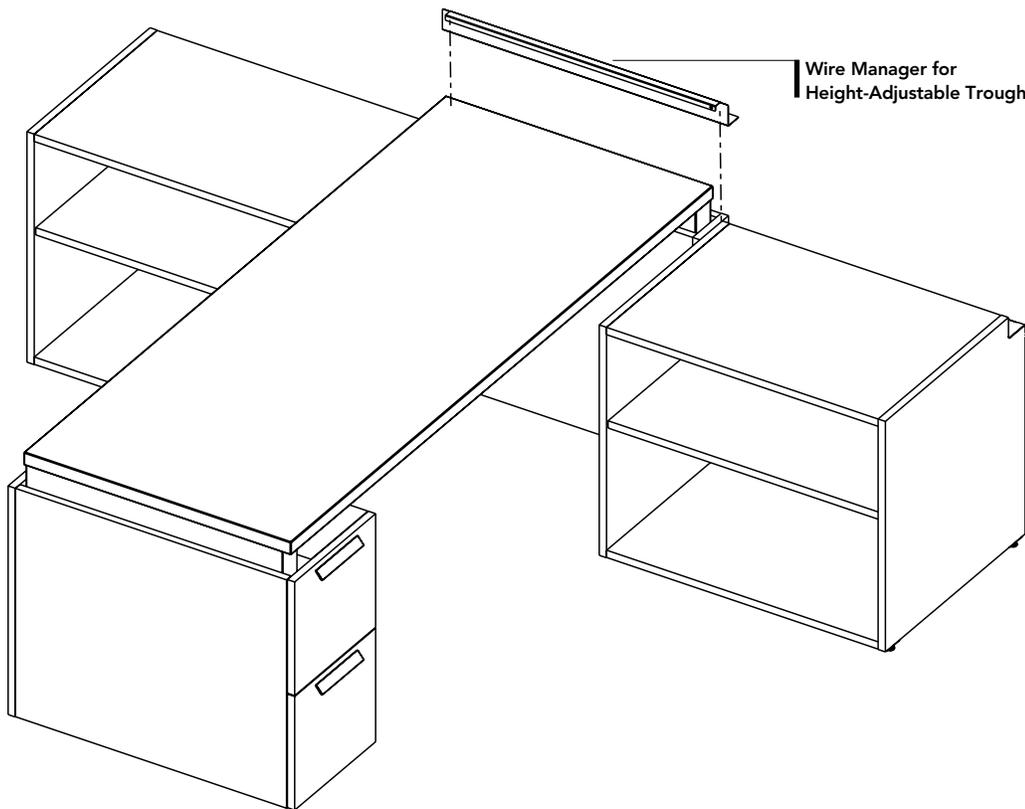
- Installs into back bracket of unit on 18"D models. See illustration at left. Includes 6' black power cord.
- Requires additional mounting bracket WKMTMB (ordered separately) on 24"D models and wall access panels.

End Cap (page 59)

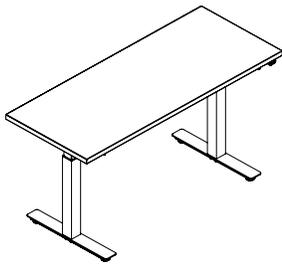
- Used to finished trough at end of run.
- Branded with Allsteel logo.
- Available in three colors: Black, Brilliant White, and Silver.
- Credenza top is required.

Wire Manager for Height-Adjustable Trough (page 59)

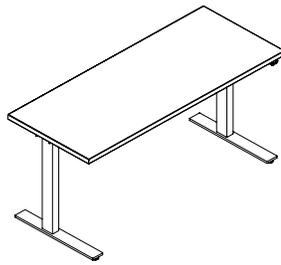
- 30" W, Flint only.
- Installs onto height-adjustable laminate shroud. See below.
- Spans two credenzas on either end of height-adjustable desk.
- Height-adjustable table must be perpendicular to wall.



Altitude height-adjustable bases are available in two styles for Approach:



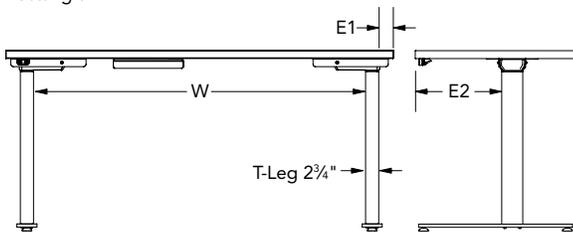
3-Stage Electric T-Leg Base
with
Rectangular Worksurface



2-Stage Electric
C-Leg Base with
Rectangular Worksurface

Clearance Dimensions

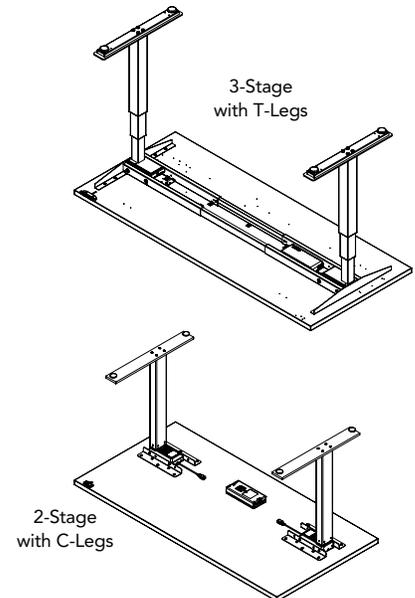
Rectangle



Base Style:	3-Stage T-Leg Base			2-Stage C-Leg Base			
Dimension Location:	E1	W	E2	E1	W1	W2	E2
Altitude Top: (Surface dimensions are nominal. Actual widths are reduced by 2")	Edge of table to outside of leg	Between legs	Edge of table to outside of leg	Edge of table to outside of leg	Between legs	Between legs	Edge of table to the outside of leg
24" x 48" Rectangle*	—	—	—	2"	38"	—	12 ⁷ / ₈ "
24" x 54" Rectangle	2 ¹ / ₂ "	41 ¹ / ₄ "	10 ³ / ₈ "	2"	44"	—	12 ⁷ / ₈ "
24" x 60" Rectangle	2 ¹ / ₂ "	47 ¹ / ₄ "	10 ³ / ₈ "	2"	50"	—	12 ⁷ / ₈ "
24" x 66" Rectangle	2 ¹ / ₂ "	53 ¹ / ₄ "	10 ³ / ₈ "	2"	56"	—	12 ⁷ / ₈ "
24" x 72" Rectangle	2 ¹ / ₂ "	59 ¹ / ₄ "	10 ³ / ₈ "	2"	62"	—	12 ⁷ / ₈ "
30" x 48" Rectangle	—	—	—	2"	38"	—	17 ⁷ / ₈ "
30" x 54" Rectangle	2 ¹ / ₂ "	41 ¹ / ₄ "	13 ³ / ₈ "	2"	44"	—	17 ⁷ / ₈ "
30" x 60" Rectangle	2 ¹ / ₂ "	47 ¹ / ₄ "	13 ³ / ₈ "	2"	50"	—	17 ⁷ / ₈ "
30" x 66" Rectangle	2 ¹ / ₂ "	53 ¹ / ₄ "	13 ³ / ₈ "	2"	56"	—	17 ⁷ / ₈ "
30" x 72" Rectangle	2 ¹ / ₂ "	59 ¹ / ₄ "	13 ³ / ₈ "	2"	62"	—	17 ⁷ / ₈ "

*3-Stage T-Leg will work with a 48"W full-width top (not undersized Altitude tops WKAURS4824 on page 60) and used freestanding in an open space that is at least 50"W to provide 1" of clearance on each side.

Bottom Views



Height-Adjustable Worksurfaces, Bases, and Controls

Height-Adjustable Worksurfaces (page 60)

- Height-adjustable worksurfaces are available in laminate with flat edge and rectangular veneer with matching square edge.
- Worksurface dimensions are nominal. Actual widths are reduced by 2" (1" each side). Corner cove depth is nominal, actual is 1" less.
- Altitude worksurfaces are pre-drilled with mounting location for bases.
- Any open span 60" and greater requires an external support channel. Altitude 66"-72"W rectangular worksurfaces include an external support channel.
- Rectangular worksurface grommet location is limited to center location due to mounting of worksurface supports at each end of the worksurface.
- Load capacity is 300 pounds for 2-leg models including weight of worksurface.

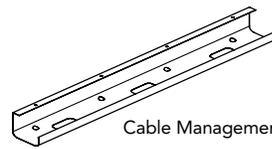
Height-Adjustable Bases (page 61)

- Electric height-adjustable base units are available in two styles for Approach: 3-Stage with T-Leg or 2-Stage with C-Legs.
- T-Leg model is only available in Platinum, no paint color code is required.
- 3-Stage models travel at 1.3" per second. 2-Stage models travel at 1.5" per second. Motor devices have a continuous cycle time of 2 minutes with an 18 minute rest period before it can be cycled again.
- Control box is powered by 110-120V/60Hz/4A. Standby power is < 0.1 Watts. Power cord on C-Leg model is 10'; and 6'6" on T-Leg model.
- Pedestals taller than 24½" for C-leg models and 21" for T-Leg model when placed under table will limit range in lowest position.
- Mobile box/file pedestals will clear feet on height adjustable base but will extend past edge of worksurface in that position. See chart on page 38.
- Moving worksurfaces can collide with other components. It is important to ensure free range of motion prior to operating the table.
- All tables have adjustable glides providing ⅛" adjustment on C-legs and ½" adjustment on T-Legs.
- The no crossbar design of the C-Leg exceeds knee clearance recommendations and provides optimal undersurface mounting capability.
- 3-Stage T-Leg will work with a 48"W full-width top (not undersized Altitude tops **WKAURS4824** on page 60) and used freestanding in an open space that is at least 50"W to provide 1" of clearance on each side.

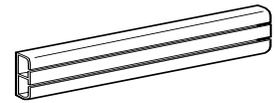
Memory Controls (page 61)

- Optional control box allows for 3 memory set user heights with C-Leg model, or 4 memory set user heights with T-Leg model.

Cable & Wire Management

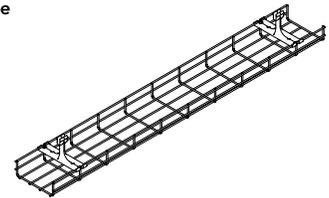
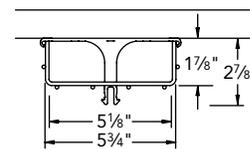


Cable Management Tray



Wire Management Channel

Wire Basket attaches under worksurface



Cable Management Tray (page 61)

- Attaches under the worksurface to contain cables.
- Metal tray shelf is 4" deep. Can hold electrical power strip and/or surge protector.
- 24" and 36" lengths, use multiple units for larger worksurfaces.
- Attachment hardware included, specify paint color.

Wire Management Channel (page 61)

- Self adhesive backing to attach to panels and underside of worksurfaces.
- Flexible strips allow cabling to enter/exit and can be contained inside the 2-cavity profile.
- Each cavity provides space for a maximum of six .22" dia. cables. Total capacity = 1 sq. in.

Wire Basket (page 61)

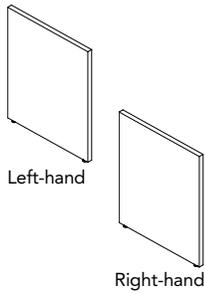
- Offered in 42", 54", and 66" widths – actual dimensions are 40½", 52½", 64½". Mounts below a worksurface.
- Model includes basket and two vertical hanging supports.
- Verticals must be placed 18" or more apart from one another and must be within 15" from each end of a basket.
- Vertical must be centered on basket width
- Wire basket is made of 0.148" diameter steel wire.
- Basket is PR6 (silver) powder paint and support verticals are silver ABS plastic.
- Data capacity: 72 cables.
- Maximum load is 25 pounds.

Privacy Screens available for Altitude Rectangular Tables

Altitude Table	Stride Landscape Surface Screen	Stride Painted Wood Screen	Involve Laminate End Screen	Involve Glass End Screen
Rectangular Top	See Stride Price List Page 135	See Stride Price List Page 135	See Storage Price List Page 149	See Storage Price List Page 149
48"W	—	—	36"W	—
54"W	48"W	48"W	36"W	48"W
60"W	30"W	30"W, 36"W	36"W, 42"W, 48"W	—
66"W	30"W, 36"W, 42"W	30"W, 36"W, 42"W	36"W, 42"W, 48"W, 54"W, 60"W	36"W, 42"W
72"W	30"W, 36"W, 42"W, 48"W	30"W, 36"W, 42"W, 48"W	36"W, 42"W, 48"W, 54"W, 60"W	36"W, 42"W, 48"W

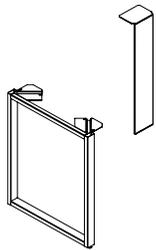
For specification information see pages 22-39.

Pending GSA Approval



Description	Model	List Price	
		L1	L2
End Panel Supports — 28"H			
24"D Left-Hand	WKEP2824LH	\$ 355	\$ 372
24"D Right-Hand	WKEP2824RH	\$ 355	\$ 372
30"D Left-Hand	WKEP2830LH	\$ 390	\$ 409
30"D Right-Hand	WKEP2830RH	\$ 390	\$ 409
36"D Left-Hand	WKEP2836LH	\$ 455	\$ 477
36"D Right-Hand	WKEP2836RH	\$ 455	\$ 477

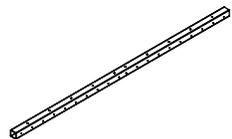
Note: Must order handed modesty panel. See page 51.



Description	Model	List Price	
		P1 Core	P2 Select
Support Column			
29"H	WKAUCB29	\$ 718	\$ 718
O-Leg — 28"H (non-handed, painted metal)			
24"D	WKTBT2824	\$ 425	\$ 446
30"D	WKTBT2830	\$ 460	\$ 506



Description	Model	List Price
Worksurface Stanchions (non-handed; P02 Flint only, not specified)		
3"H x 12"D	WKST312	\$ 219
3"H x 18"D	WKST318	\$ 240
4"H x 12"D	WKST412	\$ 230
4"H x 18"D	WKST418	\$ 252



Description	Model	List Price
External Worksurface Support Channel (no color option) — 1½"H		
30"W for use on 42"W Worksurface	Z5SC42	\$ 50
36"W for use on 48"W Worksurface	Z5SC48	\$ 52
42"W for use on 54"W Worksurface	Z5SC54	\$ 59
48"W for use on 60"W Worksurface	Z5SC60	\$ 64
54"W for use on 66"W Worksurface	Z5SC66	\$ 73
60"W for use on 72"W Worksurface	Z5SC72	\$ 79
66"W for use on 78"W Worksurface	Z5SC78	\$ 86
72"W for use on 84"W Worksurface	Z5SC84	\$ 95

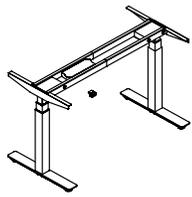
Note: Width of support channel may need to be reduced to accommodate width of storage.

<p>How to specify — Select the Model Number from above.</p>	<p>1st Option: FSC Certified Wood (if applicable): F FSC Certified X No FSC</p>	<p>2nd Option: Laminate and Predefined Edge (if applicable):</p>	<p>3rd Option: O-Leg Paint Color (if applicable): P27 Black PQ8 Brilliant White* PR6 Silver* *Add \$21 for 24"D/\$23 for 30"D per leg upcharge for O-legs.</p>
--	--	---	---

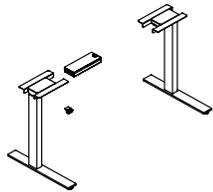
Examples: WKEP2824LH.F.LM14EW WKTBT2824.PQ8 Z5SC42

For specification information see page 38.

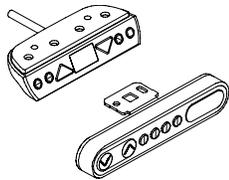
GSA SIN 711-1



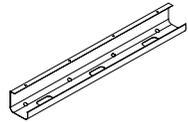
Description	Model	List Price
3-Stage T-leg Electric Powered Base — 25"H – 50½"H (Platinum only) For 24"D-30"D Rectangular Worksurfaces 54"W-72"W*	ATBT3S24	\$ 1748
*Will work with a 48"W full-width top, see pages 252-253.		



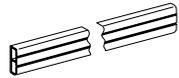
2-Stage C-leg Electric Powered Base — 27¼"H – 47½"H For 24"D-30"D Rectangular Worksurfaces 48"W-72"W	ATBC2S	\$ 2224
--	--------	---------



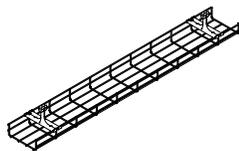
Memory Controls		
For T-Leg base (4 position)	ATBTMEM*	\$ 123
For C-Leg base (3 position)	ATBCMC*	\$ 146
Memory controls are intended for use with Allsteel table tops and are approved under GSA SIN 711-1. When purchased separately and used without an Allsteel top, these models marked by () are considered open market.		



Cable Management Tray (specify paint color)		
24" Tray	CMT24 	\$ 74
36" Tray	CMT36 	\$ 89



Wire Management Channel (Black only)		
92" Long	AEV920 	\$ 134



Wire Basket— PR6 Silver Only		
42"W Mounted Below Worksurface	U942BWB	\$ 193
54"W Mounted Below Worksurface	U954BWB	\$ 211
66"W Mounted Below Worksurface	U966BWB	\$ 222

U942BWB

<p>How to specify — Select the Model Number from above.</p>	<p><i>1st Option:</i> Paint Color (if applicable): Altitude C-leg Base Paint Color: P27 Black PQ8 Brilliant White PR6 Silver</p>
--	---

Examples: ATBT3S24 ATBC2S.PQ8 CMT24.P4J AEV920

 Shippable by small-package carrier.

EXTENSIONS

Introduction

Overview 63

Organization Tools

Working with Organization Tools..... 64

Worksurface Mounted Rails and Accessories 65

Ergonomic Accessories

Working with Ergonomic Accessories 66-67

Monitor Arms, Tablet Holders, Keyboard Support,
and CPU Hammock 68

Illumination

Working with Illumination 70-71

Link™ LED Lights and Wand™ LED Light 72

Extensions — Introduction

Extensions accessory line by Allsteel is designed to help you create your own space.

- **Create a unique space**

Each person is unique, no one person works exactly like another, and different tasks require different tools. Extensions work tools allow each person the ability to create a unique environment that is all their own. Lots of paper to manage? Need active files within arm's reach? Want to maximize your worksurface space? Need light somewhere other than below a cabinet? Whatever the task, we have the tools to accommodate your workstyle.

- **Create a comfortable space**

With a full line of organization, ergonomic, and illumination tools, Extensions allow you to create a comfortable, ergonomic work area. Organization tools keep important items visible and within your reach. Ergonomic tools help you stay comfortable while working. Illumination tools allow you to put your light where it suits you.

- **Create an organized space**

Tired of all the piles of paper building up on your worksurface? Organization tools house your materials and keep them in an orderly fashion. With a combination of hanging or freestanding organizational accessories, Extensions let you manage everything from paper to your phone.

- **Organization tools**

Work tools are a durable metal construction. Extensions allow you to manage your workspace smartly with tools like the phone stand to elevate the phone off the worksurface, vertical paper tray, and pencil holder.

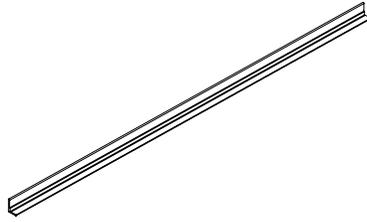
Increase your efficiency with organization!

- **Ergonomic tools**

Ergonomics is more than just comfort, it's flexibility and safety. Monitor Arms offer versatile adjustability while providing optimum comfort for the eyes, neck, and shoulders.

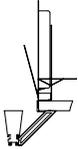
- **Illumination tools**

Sleek and flexible, our lighting components offer you choices. LED tasklights' slim design blends in with its surrounding while utilizing energy-efficient LED technology. The Link light offers award-winning style to a highly versatile and energy efficient light.

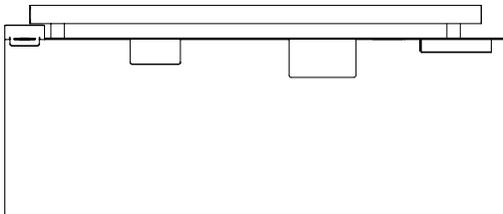


Rail Accessories

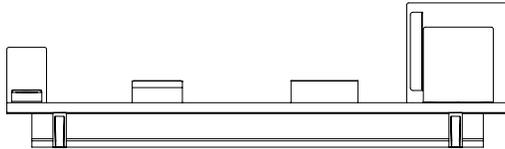
Side View



Top View



Phone/
Tablet
Stand Pencil
Holder Rail
Mounted
Shelf Vertical
Paper Tray



Front View

Worksurface Mounted Rail (page 65)

- Aluminum extrusion designed to mount to flat edge worksurfaces. Comes with rail and hardware for mounting.
- Mounted rail extends ¼" on underside of worksurface which may interfere with the mounting of storage.
- Widths available 12" through 96" in 6" increments.
- Passes behind worksurface bracket on tethered applications.
- Can pass across seams of ganged worksurfaces in tethered applications.
- For freestanding applications rail should be 6" shorter than worksurface (i.e. 54" rail for 60" worksurface).

Rail Mounted Accessories

Not recommended for use on panel systems due to fit up issues created with worksurface and panel. Adding accessory rail shifts worksurface — ⅜" away from panel along that edge. Forcing worksurface into place crushes fabric tile and with tiles of other material (steel, marker board, etc) is likely to scratch, dent, or otherwise damage tile during installation.

U9TM Phone/Tablet Stand (page 65)

- 6⅝"H x 4¾"W and angles back 1¼".
- Has a ¼" x 1" slot in bottom flange to allow for routing cables. Requires 1¼" space behind worksurface edge in order to be used.



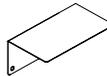
U9TP Pencil Holder (page 65)

- 2⅝"H x 6"W x 3"D.
- Holds approximately twenty #2 pencils.



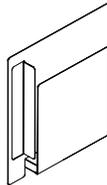
U9TS Rail Mounted Shelf (page 65)

- 8"W x 4½"D and sits 2⅝" higher than top of worksurface.
- Holds up to 8 pounds.



U9TF Vertical Paper Tray (page 65)

- Sits 12"H x 1½"W x 12"D from back of worksurface.
- Folder front stands 9" high from worksurface top, 1¼" space holds about 280 sheets of copy paper.



U9WTC Cord Organizer (page 65)

- Can attach to both bottom of worksurface or slides into rail.
- 4"W x ⅞"D, made from sheet metal.
- Top sits flush with worksurface if mounted to worksurface.
- 4 cable cut outs: 2 – .250" diameter and 2 – 0.147" diameter; .250" diameter cut outs are centered between the .147" diameter cut outs.



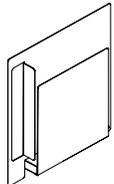
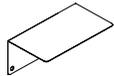
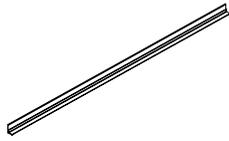
Accessories

Worksurface Mounted Rail and Accessories

For specification information see page 64.

GSA SIN 711-1

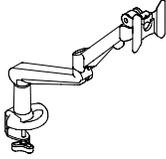
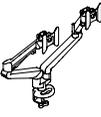
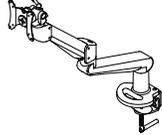
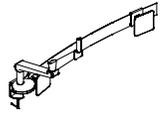
Description	Model	List Price		
		P1 Core	P2 Select	P3 Accent
Accessories Rail — Worksurface Mounted				
12"W	U912WTR 	\$ 70	\$ 73	\$ 76
18"W	U918WTR 	\$ 75	\$ 78	\$ 81
24"W	U924WTR 	\$ 86	\$ 89	\$ 92
30"W	U930WTR 	\$ 95	\$ 101	\$ 107
36"W	U936WTR 	\$ 107	\$ 113	\$ 119
42"W	U942WTR 	\$ 117	\$ 123	\$ 129
48"W	U948WTR 	\$ 123	\$ 132	\$ 141
54"W	U954WTR 	\$ 128	\$ 137	\$ 146
60"W	U960WTR 	\$ 134	\$ 145	\$ 156
66"W	U966WTR 	\$ 160	\$ 171	\$ 182
72"W	U972WTR 	\$ 182	\$ 194	\$ 199
78"W	U978WTR 	\$ 257	\$ 269	\$ 274
84"W	U984WTR 	\$ 268	\$ 282	\$ 291
90"W	U990WTR 	\$ 284	\$ 298	\$ 307
96"W	U996WTR 	\$ 301	\$ 318	\$ 329
Rail Mounted Accessories				
Phone/Tablet Stand — 6½"H x 4¼"W	U9TM 	\$ 105	\$ 113	\$ 121
Pencil Holder — 2½"H x 6"W x 3"D	U9TP 	\$ 64	\$ 70	\$ 76
Shelf — 8"W x 4½"D; 2½" above top of worksurface	U9TS 	\$ 78	\$ 84	\$ 90
Vertical Paper Tray — 12"H x 1½"W x 12"D	U9TF 	\$ 115	\$ 123	\$ 131
Cord Organizer				
4"W x ¾"D Metal with 4 cable cutouts	U9WTC 	\$ 114	\$ 119	\$ 124



<p>How to specify — Select the Model Number from above.</p> <p>U 9 .</p>	<p>1st Option: Paint:</p> <p> </p>
---	--

Examples: U912WTR.PR6 U9TF.P7G

 Shippable by small-package carrier.

MONITOR ARMS	ZW8 for Tool Tile	ZW8 Single	ZW8 Dual	ZW8 Single-HD	ZW8 Dual-HD
Allsteel Model:	ZW810T	ZW810S	ZW820D	ZW810H	ZW820DH
					
Features:					
Monitor rotation	180°	180°	180°	180°	180°
Monitor Extension	15"	21"	21"	22¼"	26¼"
Monitor retraction	3½"	3½"	3½"	3½"	3½"
Monitor tilt adjustment	+30°/-25°	+30°/-25°	+30°/-25°	+85°/-25°	+35°/-25°
Arm Height adjustment	11¾"	6½" to 19½" (13")	6½" to 19½" (13")	9" to 23" (14")	9" to 23" (14")
Monitor Weight capacity (maximum approved weight)	6½ to 16 lbs.	6½ to 18 lbs.	6½ to 18 lbs. per arm	17½ to 44 lbs.	12 to 38.5 lbs. each
Mounting option	Stride rail mount*	Desk clamp or grommet included	Desk clamp or grommet included	Desk clamp or grommet included	Desk clamp or grommet included
360° lockout feature	No	Yes	Yes	No	No
VESA compatibility	75mm and 100mm	75mm and 100mm	75mm and 100mm	75mm and 100mm	75mm and 100mm
Laptop Tray compatible	Yes	Yes	Yes	No	No
Tool Tile / Stride Bench compatible	Yes	No	No	No	No
Pole height	N/A	N/A	N/A	N/A	N/A
Maximum width per monitor	N/A	N/A	25"	25"	25"
Worksurface requirements — Desk Clamp	N/A	¾" to 2" thick	¾" to 2" thick	¾" to 2" thick	¾" to 2" thick
Worksurface requirements — Grommet Mount	N/A	¾" to 2" thick; hole diameter ⅜" to 2"	¾" to 2" thick; hole diameter ⅜" to 2"	¾" to 2" thick; hole diameter ⅜" to 2"	¾" to 2" thick; hole diameter ⅜" to 2"
Environmental info	99% Recycled content	99% Recycled content	99% Recycled content	99% Recycled content	99% Recycled content

*ZW810T is NOT approved for Tool Rail Models EASRxx or EAHSRxx that attach to system panel slots or hutches.

ZW8 Series Monitor Arms (page 68)

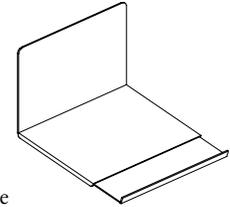
- Versatile adjustability with a refined design and effortless, pneumatic fingertip adjustment.
- Multiple points of adjustment, including 360° swivel at two points, 21" extension and 13" of height adjustment, and a 180° lockout feature.
- Monitor tilts +30°/-25°.
- Tension adjustment feature at two locations to accommodate monitor weight and desired tilt tension.
- Maximize use of worksurface with ability to retract to minimal footprint of 3½", making ZW8 ideal for shallow worksurfaces.
- Model includes grommet and worksurface mounting options.
- Integrated cable management.
- Desk clamp mounts to surfaces 7⁄8" to 2" thick; grommet mount requires hole diameter of 5⁄16" to 2" wide, and accommodates surfaces up to 2" thick.
- Single arm supports 6½ to 18 lbs.; dual arm offers perfect horizontal alignment, and each arm supports 6½ to 18 lbs.
- ZW8 for tool tile is compatible on Allsteel tool tiles and Stride bench rail includes one dynamic extension limb. Arm extension is 15" from tile/rail, height adjustment 12".
(Not approved for tool rail models EASRxx or EAHSRxx that attach to system panel vertical slots or hitches.)
- ZW810S and ZW820D will fit all depths of Stride double-sided benches. Interference with support beam on 54" bench, desk clamp will not install flush to edge of worksurface, but will allow power access door to close completely.
- Mounting location on Stride single-sided bench and screen-based bench may be impacted by location of connecting brackets and supports.
- VESA 75mm and VESA 100mm compatible.
- Quick release feature simplifies monitor installation and exchanges.

ZW8 Heavy Duty Series (page 68)

- ZW810H heavy duty arm supports 7.6 to 44 lbs. in total weight.
- ZW820DH supports weight capacity 12 to 38.5 lbs. combined (to accommodate 5.5 lbs. weight of crossbar).
- Single arm features 22¼" extension, dual arm extends 26¾".
- Height adjustment range of 9" to 23" (14" total).
- Features 360° rotation at 3 points.
- Integrated cable management.
- Tension adjustment feature at two locations to accommodate monitor weight and desired tilt tension.
- Quick release feature simplifies monitor installation and exchanges.
- Monitor rotates 180° and tilts +85°/-35°.
- Dual arm crossbar length of 41"; monitors can be positioned by sliding along crossbar to accommodate various sizes. Can accommodate up to two 24" diagonal monitors (total outside casing dimension of 38" wide).
- Cannot be installed on 54" Stride double-sided bench due to interference with support beam.
- Mounting location on Stride single-sided bench and screen-based bench may be impacted by location of connecting brackets and supports.

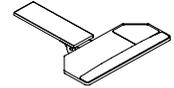
Laptop Tray (page 68)

- Adjustable laptop tray can be used on ZW810S and ZW820D.
- Features adjustable depth of 11¼" to 17¼" to accommodate docking stations along with laptop computer.
- Width 12".
- Designed with ventilation holes for adequate heat dissipation.
- Non-skid protective pads included to prevent laptop from sliding.
- Weight of laptop tray 7 lbs; include when calculating total weight of tray + laptop to comply with weight capacity.



AKM1 Keyboard Support w/Mousepad (page 68)

- Simple, spring-assisted mechanism provides 6¼" of height adjustment.
- Features soft-touch knob for simultaneous height and tilt adjustments.
- +10°/-15° tilt adjustment and 360° rotation provides support of neutral position of shoulders, arms, and wrists while accommodating multiple working postures.
- Accommodates keyboard and mouse on the same level.
- Includes detachable leatherette-covered gel palm rest, nonslip pad, mouse pad, mouse guard, and cord management clips.
- Keyboard platform made of 90% post-consumer recycled materials and completely recyclable. Free of formaldehydes and carcinogens and emits no VOCs.

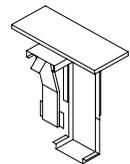


Keyboard Spacer Kit (page 68)

- Kit provides ten 2½" H spacers and hardware for mounting keyboard support beneath an external worksurface support channel.

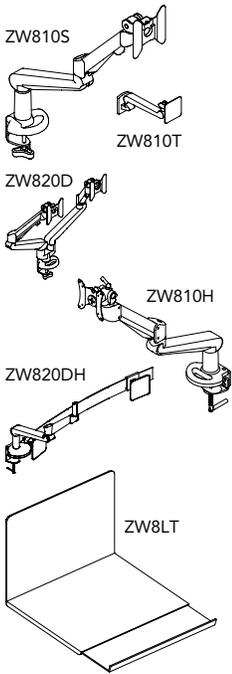
CPU Hammock™ (page 68)

- Features 360° swivel with 13½" ball bearing glide track.
- Load capacity 55 lbs.
- Fits CPUs 5" to 20" in overall height and 3" to 6" in width.
- Height adjustable from 16" to 23" below worksurface.
- No tools required to make adjustments.
- Features a textured, silver paint finish.

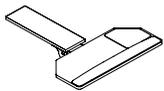


For specification information see pages 66-67.

GSA SIN 711-1



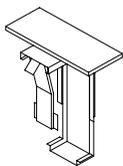
Description	Model	List Price
Monitor Arms — ZW8 Series		
Single — Desk Clamp	ZW810S <input type="checkbox"/>	\$ 380
Single — Mounts to Toolrail or Tool Tile	ZW810T <input type="checkbox"/>	\$ 380
Dual — Desk Clamp	ZW820D <input type="checkbox"/>	\$ 651
Conversion Kit — from Single-to-Dual	ZW82KIT <input type="checkbox"/>	\$ 380
Single Monitor — for Heavy Duty Monitor	ZW810H <input type="checkbox"/>	\$ 577
Dual Monitor — for Heavy Duty Monitors	ZW820DH <input type="checkbox"/>	\$ 990
Laptop Tray	ZW8LT <input type="checkbox"/>	\$ 243



Artulating Keyboard Support with Integrated Mousepad (Black only)			
25"W x 10½"D (Mounting clearance 17"D)	AKM1 <input type="checkbox"/>		\$ 317



Keyboard Spacer Kit			
10 – 2½"H Spacers and Hardware	AKMH <input type="checkbox"/>		\$ 37



CPU Hammock™ (Silver only)			
Adjustable Height CPU Holder with 360° swivel	ACPU4 <input type="checkbox"/>		\$ 190

<p>How to specify — Select the Model Number from above.</p>	<p><i>1st Option:</i> Color for ZW Series: SVR Silver</p>
<p>S V R</p>	

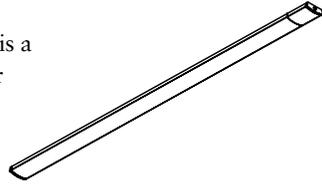
Examples: ZW810S.SVR ZW8LT.SVR AKM1 ACPU4

Shippable by small-package carrier.

Allsteel Extensions offers Illumination in three styles — Undercabinet LED Light, Wand Light, and Link Light.

Undercabinet LED Light

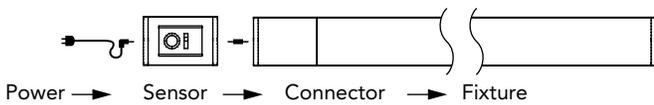
The Undercabinet LED Light is a low-profile, linear solution for overhead cabinets and shelves and is an ideal solution for painted wood storage. It utilizes energy-efficient LED technology which provides a long life. The Undercabinet LED Light provides the opportunity to mount the fixture where light is needed most.



The Undercabinet LED Light features a metal trough reflector with diffuser lens. The light has a sleek 1/2" thick profile and provides two options for mounting, either magnetically or with hardware. Undercabinet LED Lights can be daisy-chained.

Optional undercabinet occupancy sensor is available which will automatically turn off the fixture after 30 minutes of no detection and back on immediately as the user re-enters the detection range using Passive Infrared (PIR) sensor technology. Unit features 360° lens with 90° outward detection angle, providing a 36" coverage diameter at 18". Occupancy sensor comes with connector and is required to be connected in the sequence shown below. Connect occupancy sensor to a light, or first light in daisy chain to control all linked lights.

CONNECTION SEQUENCE*



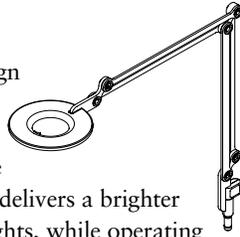
*Cannot deviate from this sequence

Undercabinet LED Lights (page 72)

- Low profile energy-efficient LED task light for use with overhead storage cabinets and shelves.
- 20W power supply for 10W 17" unit (.166 amps).
- 20W power supply for 20W 31" unit (.166 amps).
- 60W power supply for daisy-chain starter units (.5 amps). Must order one starter unit for each daisy-chain application.
- Specify up to 5 additional 17" interconnect units (ALED17UJMP30) to daisy-chain together with 17" daisy-chain starter fixture (ALED17U60).
Example: Daisy-chain 4–17" undercabinet LED lights:
 Specify: 1 ALED17U60
 Specify: 3 ALED17UJMP30 with 10" jumper cord
- Specify up to 2 additional 31" interconnect units (ALED31UJMP30) with 10" jumper cords to daisy-chain together with 31" tasklight (ALED31U60); or 17" daisy-chain starter fixture (ALED17U60).
- 3500K color temperature.
- 131 footcandles at 18" on ALED31U; 76 footcandles at 18" on ALED17U.
- Magnetic or screw-mount option — attachment hardware included.
- On 20 watt models, power drive is attached to plug: allow 1 1/8" D space at outlet.
- On 60 watt models, power drive brick is in center of cord and can be attached to underside of worksurface with velcro mount.
- Includes 3 cord retainer clips.
- Meets California Title 24 Energy Efficiency Standards.
- "Instant On" switch with infinite dimming cycle from 100% to 15% with the last state memory, allowing the user to set their desired level of lighting.
- Fixture automatically turns off after 10 hours of use to reduce unwanted energy use.
- Optional occupancy sensor automatically turns off all interlinked fixtures after 30 minutes of no detection and back on immediately when detection is found.

Link™ Light

Link’s simple forms, slim profile, and expressive details make a surprising design statement in any workplace. The playful lamp head offers 180-degree movement for natural and precise adjustability. The concentrated array of high-power LEDs delivers a brighter light output than standard fluorescent lights, while operating cooler for consistent, long-lasting, and uniform-quality light. Plus, its efficient design elegantly conserves the amount of materials required, paring them down to their most essential. Engineered for effortless disassembly, Link is 97 percent recyclable.

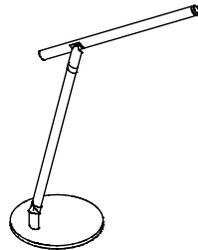


Link Light (page 72)

- Single- or dual-arm style.
- 3300K color temperature, 7.5 watts.
- Available in two soft-touch colors (Silver and Black).
- Mounting options include a freestanding base, worksurface edge clamp, or tool rail bracket. Each allows for unobstructed lamp rotation.
- Freestanding base is 9½" x 9½".
- Cord length: 9' with detachable power adapter.
- The lamp head forms the handle, offering 180-degree up/down movement.
- Low Profile worksurface clamp allows for minimal clearance conditions but must be installed before worksurface.
- Power is delivered through a conductive aluminum skin, eliminating internal wiring.
- L-shaped base sits in the corner, using minimal workspace.
- Meets California Title 24 Energy Efficiency Standards.
- Link Light is UL, CE, and RoHS compliant.
- Actual length of model LED18U is 19".
Actual length of model LED36U is 37¼".

Wand™ Task Light

Wand freestanding task light offers a clean, simple design along with powerful LED technology to illuminate the workspace. The swivel base and arm tilt allow users to position the light just where they need it. The 7.7 watt LED light offers efficiency and long life, providing up to 25 years of daily use. The slim, sleek design makes it easy to integrate into any workspace. Wand task light is 97% recyclable. Optional Occupancy Sensor available.

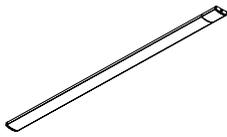


Wand LED Freestanding Task Light (page 72)

- Available in Silver or White. 9'4" cord is Silver.
- Full range dimming from 100% — 10% with last state memory.
- More efficient than original Wand light with brighter and broader range of light.
- Uses 7.7 watts at highest setting and as low as 1 watt at its lowest setting, providing 85 to 12 footcandles of light, respectively (16" above worksurface).
- 7½" round swivel base and 16½"H tilt arm allow versatile positioning of the 13" lampshade.
- Designed for 50,000 hours of life, providing up to 25 years of daily use. Warranty — 5 years (fixture); 3 years (power supply).
- Color Temperature: 3500K. Color Rendering Index (CRI): 80.
- Materials: aluminum arm and lampshade, steel base.
- Weight: 4.4 lbs. 97% recyclable, 76% post-consumer.
- Certifications: UL and CUL. TAA compliant.
- Occupancy sensor available with automatic shut-off after 6 minutes if no motion is detected.

For specification information see pages 70-71.

Open Market / GSA SIN 711-1



GSA SIN 711-1

Description	NEW/ Model	List Price
LED Undercabinet Light (white end caps)		
17" Task Light w/20 watt power supply for 24"W or wider overhead	ALED17U <input type="checkbox"/>	\$ 595
17" Task Light w/60 watt power supply for daisy chain	ALED17U60 <input type="checkbox"/>	\$ 649
17" 10 watt Interconnect Task Light w/10" Jumper Cord	ALED17UJMP30 <input type="checkbox"/>	\$ 458
31" Task Light w/20 watt power supply 36"W or wider overhead	ALED31U <input type="checkbox"/>	\$ 890
31" Task Light w/60 watt power supply for daisy chain	ALED31U60 <input type="checkbox"/>	\$ 938
31" 20 watt Interconnect Task Light w/10" Jumper Cord	ALED31UJMP30 <input type="checkbox"/>	\$ 536
Undercabinet Occupancy Sensor 2½"W + 1"W Connector	ALEDOCC*	\$ 363

*Undercabinet Occupancy Sensor works with LED Undercabinet lights shipped after 11/1/2013.



Open Market

Link™ LED Light		
Link LED Lamp, 18" Single Arm	LNKSA <input type="checkbox"/>	\$ 454
Link LED Lamp, 13"/13" Dual Arm	LNKDA <input type="checkbox"/> (shown)	\$ 483
Link Freestanding Base	LNKFS <input type="checkbox"/>	\$ 120
Link Low Profile Worksurface Clamp	LNKCL <input type="checkbox"/>	\$ 74
Link Tool Tile Attachment	LNKPM <input type="checkbox"/>	\$ 74



GSA SIN 711-1

Wand™ LED Task Light (Silver or White)		
Freestanding LED Task Light w/base	WANDFS <input type="checkbox"/>	\$ 290
Freestanding LED Task Light w/base and Occupancy Sensor	WANDFSOC <input type="checkbox"/>	\$ 412

<p>How to specify — Select the Model Number from above.</p>	<p><i>1st Option:</i> Color (for Link Light): SVR Silver</p> <p>(for Wand LED): SVR Silver WHT White</p>
--	---

Examples: ALED17U LNKDA.SVR WANDFS.WHT

Shippable by small-package carrier.

Product	Style	9½"W	15"W	18"W	30"W	36"W	60"W	72"W
28"H Credenzas	Open Shelves				N/A	N/A		
	Box/Box/File					1 lock		
	Hinged Door				1 lock	1 lock		
	Hinged Door / Hinged Door						2 locks	2 locks
	Hinged Door / Lateral File						2 locks	2 locks
	Lateral File				1 lock	1 lock		
	Lateral File / Hinged Door						2 locks	2 locks
	Lateral File / Lateral File						2 locks	2 locks
	Lateral File / Open Shelves						1 lock	1 lock
	Multi File				1 lock			
	Open Shelves / Box File				1 lock	1 lock		
	Open Shelves / Lateral File						1 lock	1 lock
24"H Credenzas	Open Shelves							
	Box/Box/File					1 lock		
	Box/File				1 lock	1 lock		
	Box File / Box File						2 locks	2 locks
	Box File / Hinged Door						2 locks	2 locks
	Box File / Open Shelves						1 lock	1 lock
	Hinged Door				1 lock	1 lock		
	Hinged Door / Box File						2 locks	2 locks
	Lateral File				1 lock	1 lock		
Multi File				1 lock				
Open Shelves / Box File						1 lock	1 lock	
Desks	Box/Box/File				1 lock			
	File/File				1 lock			
	Box Box File / File File				2 locks			
Laterals	2-High				1 lock	1 lock		
	3-High				1 lock	1 lock		
	4-High				1 lock	1 lock		
24"H Pedestals	Box/File			1 lock				
	Mobile Box/File		1 lock					
28"H Support Pedestals	Box/Box/File	1 lock		1 lock				
	File/File	1 lock		1 lock				
	False Pedestal							
56½"H Storage Towers 4-High	Hinged Door Laminate (HDL)			1 lock	1 lock	1 lock		
	Hinged Door Writeable (HDM)							
	Side Access Laminate (SAL)							
	Side Access Writeable (SAM)							
	Open Shelf (SH)							
71½"H Storage Towers 5-High	Combo Tower Laminate (CFL)				2 locks			
	Hinged Door Laminate (HDL)			1 lock	1 lock	1 lock		
	Hinged Door Writeable (HDM)							
	Side Access Laminate (SAL)							
	Side Access Writeable (SAM)							
Open Shelf (SH)								
Overheads	Hinged Door Laminate (HDL)				1 lock	1 lock	2 locks	2 locks
	Hinged Door Writeable (HDM)							
	Hinged Door Glass Front (HDG)							
	Open Shelf, No Door Laminate (NDL)							
	Sliding Door Laminate (SDL)						1 lock	1 lock

Further Laminate Storage

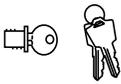
Standard Options

- **Random Keying** — The factory will assign key(s) arbitrarily using key numbers from chart below.
- **Omit Lock Core** — The factory will omit lock cores. Removable lock core kits with specific key number must be ordered to facilitate keying alike in the field.

Replacing Lock Cores

- Lock must be in the unlocked position.
- Insert core removal key and pull core straight out.
- Insert new core with core removable key, hold core into lock and withdraw core removal key.
- Retain original core for future use.
- On Persona Pedestals, open top drawer and hold lock bars in unlocked position before removal of core.

	Random Keying	Omit Lock Core	Key Numbers	Lock Core Kit	Master Key
Approach Laminate Storage	X	X	101E-225E	ALKF23C	AMKF22

	Description	Model	List Price									
	Brushed Chrome Removable Lock Core Kit Used on metal and painted wood casegoods product produced after 2/3/97; A980, A990, and A940 Series Vertical Files; Persona Pedestals produced after 8/22/09; Reach Storage units produced after 10/5/09; and Receding Door Overheads produced after 8/1/10. Includes one core, two keys, one core removal tool, adapter and instructions	Key Numbers 101E-225E ALKF23C 	\$ 18									
	Master Key (One key) Available to authorized dealers only on faxed orders. Will open LKF23C, LKF23CE4, LKF24, LKF25EL, and LKF25E4 locks numbered 101E-225E.	AMKF22 	\$ 17									
HOW TO ORDER: NOTE: Numbers 101E-225E are available. Orders without numbers specified will be keyed at random. SAMPLE ORDER: <table border="1" style="width: 100%; border-collapse: collapse;"> <thead> <tr> <th>Quantity</th> <th>Model</th> <th>Color</th> </tr> </thead> <tbody> <tr> <td>6</td> <td>ALKF23C</td> <td>X121E</td> </tr> <tr> <td>1</td> <td>AMKF22</td> <td>X</td> </tr> </tbody> </table>				Quantity	Model	Color	6	ALKF23C	X121E	1	AMKF22	X
Quantity	Model	Color										
6	ALKF23C	X121E										
1	AMKF22	X										

EASY LOCK PROGRAM

The Allsteel Easy Lock Program simplifies the lock-core ordering process when multiple cores are being specified. The Easy Lock cores can be used with Allsteel storage that currently uses the **ALKF23C** cores (all storage except Receding Door Overheads).

To ensure ease of ordering in different situations the Easy Lock cores can be specified in three different ways — Random, Specified or Sequential.

Random Keying

The Random Keying option is provided for instances where there are multiple orders or phases to a project and the offices need to be keyed alike but the key numbering is not required. With the random keying option key numbers are not specified, however, the core kits will be in sequential order from a random starting point.

Example: There are 15 offices which each have 5 black locks that need to be keyed alike, but the actual key numbers are not important.

This order would look like: **LKFE5BLK.X.15**

This specifies that 15 5-core kits are needed in black with random key numbers.

Specified Keying

The Specified Keying option is provided for the instances where there is a specific key number desired for all of the cores ordered.

Example: There are 10 offices which each have 2 silver locks that need to be keyed-alike with key number 202.

This order would look like: **LKFE2SLV.X202.10**

This specifies that 10 2-core kits are needed in silver with key number 202.

Sequential Keying

Allsteel Sequential Keying option is provided for the instances when there are multiple orders or phases to a project and it is imperative that key numbers are not duplicated.

Example: A multiple phase project has 60 total offices — 40 offices in Phase I, and 20 offices in Phase II. The project manager has expressed a need to have keyed-alike offices but doesn't want any of the offices to use the same key numbers.

The first 40 offices have 4 silver locks each that need to be keyed-alike.

This order would look like: **LKFE4SLV.SEQ/101.40**

This specifies that 40 4-core kits are needed in silver and the starting number is 101.

The second set of 20 offices only have 3 silver locks each that need to be keyed-alike; and it is important which key number starts off the sequence to ensure that no key number is duplicated. It is known that the first key range was key numbers 101-140.

The second order would look like: **LKFE3SLV.SEQ/141.20**

This specifies that 20 3-core kits are needed in silver and key sequence has to start at key number 141.

HOW TO ORDER:

Numbers 101-225 are available. Orders without key numbers specified will be keyed at random.

SAMPLE ORDER FOR EXAMPLES GIVEN:

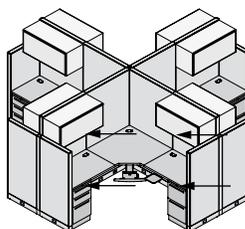
Model	Key Type	Quantity
LKFE5BLK.	X.	15
LKFE2SLV.	X202.	10
LKFE4SLV.	SEQ/101.	40
LKFE3SLV.	SEQ/141.	20

NOTE: Quantity required is last number in model.option string.

Description	Model / Color	List Price
Easy Lock Lock-Core		
Lock Core Kit — 1 core, 2 keys	LKFE1 _____	\$ 18
Lock Core Kit — 2 cores, 2 keys	LKFE2 _____	\$ 36
Lock Core Kit — 3 cores, 2 keys	LKFE3 _____	\$ 54
Lock Core Kit — 4 cores, 2 keys	LKFE4 _____	\$ 72
Lock Core Kit — 5 cores, 2 keys	LKFE5 _____	\$ 90
Lock Core Kit — 6 cores, 2 keys	LKFE6 _____	\$ 108
Lock Core Kit — 7 cores, 2 keys	LKFE7 _____	\$ 126
Lock Core Kit — 8 cores, 2 keys	LKFE8 _____	\$ 144
Add color suffix to model: SLV Silver, BLK Black, MTS Matte Silver		
Note: One core removal key minimum per order. One additional core removal key per 25 lock-cores will be shipped.		
Master Key		
(One key) Available to authorized dealers only on faxed orders.		
	AMKF22	\$ 17

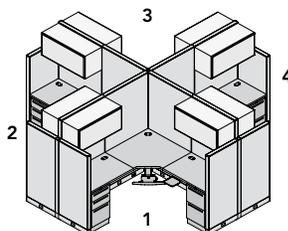
How to specify using Easy Lock Program:

Step 1 — Count the number of lock cores and color required in each workstation that need to be keyed alike.



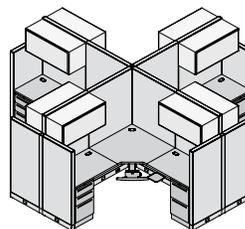
2 overheads with 1 lock-core each = 2
 2 pedestals with 1 lock-core each = 2
Total silver lock-cores per station = 4

Step 2 — Count the total number of workstations needing 4 lock-cores.



4 total workstations

Step 3 — Specify model number based on total number of lock-cores in a station and quantity of kits based on number of workstations.



LKFE4SLV.X.4
 Lock-Cores per station
 Color of Core
 Number of workstations

FSC Certified Wood at Allsteel

Allsteel has received FSC Chain of Custody certification from Scientific Certification Systems (SCS) and can now offer FSC certified products. Forest Stewardship Council (FSC) certification is intended to promote the sustainable harvesting of forests worldwide by setting requirements for the forest and everyone who handles the wood from forest to product. Certification provides a Chain of Customer number that we will pass on to customers who are pursuing LEED certification or who want to ensure that materials used to manufacture our wood products come from a well-managed forest. For more information, please contact Customer Support at 888-255-7833.

Model Number	Description	Grade G	Grade H	Grade J
30"H Tackboards — see page 56				
WTKFT4H30-FA	30"W	\$ 559	\$ 622	\$ 699
WTKFT4H36-FA	36"W	\$ 581	\$ 646	\$ 726
WTKFT4H42-FA	42"W	\$ 630	\$ 700	\$ 787
WTKFT4H48-FA	48"W	\$ 685	\$ 761	\$ 857
WTKFT4H54-FA	54"W	\$ 719	\$ 799	\$ 899
WTKFT4H60-FA	60"W	\$ 772	\$ 858	\$ 965
WTKFT4H66-FA	66"W (2 Piece)	\$ 795	\$ 884	\$ 994
WTKFT4H72-FA	72"W (2 Piece)	\$ 882	\$ 980	\$ 1103
WTKFT4H78-FA	78"W (2 Piece)	\$ 923	\$ 1026	\$ 1154
WTKFT4H84-FA	84"W (2 Piece)	\$ 970	\$ 1077	\$ 1212
WTKFT4H90-FA	90"W (3 Piece)	\$ 1009	\$ 1122	\$ 1262
WTKFT4H96-FA	96"W (2 Piece)	\$ 1046	\$ 1162	\$ 1307

34"H Tackboards — see page 56				
WTKFT4H30-LA	30"W	\$ 583	\$ 648	\$ 729
WTKFT4H36-LA	36"W	\$ 604	\$ 671	\$ 755
WTKFT4H42-LA	42"W	\$ 655	\$ 728	\$ 819
WTKFT4H48-LA	48"W	\$ 712	\$ 792	\$ 891
WTKFT4H54-LA	54"W	\$ 747	\$ 830	\$ 934
WTKFT4H60-LA	60"W	\$ 803	\$ 892	\$ 1004
WTKFT4H66-LA	66"W (2 Piece)	\$ 827	\$ 919	\$ 1034
WTKFT4H72-LA	72"W (2 Piece)	\$ 918	\$ 1020	\$ 1147
WTKFT4H78-LA	78"W (2 Piece)	\$ 961	\$ 1067	\$ 1201
WTKFT4H84-LA	84"W (2 Piece)	\$ 1008	\$ 1120	\$ 1260
WTKFT4H90-LA	90"W (3 Piece)	\$ 1049	\$ 1166	\$ 1312
WTKFT4H96-LA	96"W (2 Piece)	\$ 1088	\$ 1209	\$ 1360

45"H Tackboards — see page 57				
WTKFT5H30-FA	30"W	\$ 617	\$ 686	\$ 771
WTKFT5H36-FA	36"W	\$ 639	\$ 710	\$ 799
WTKFT5H42-FA	42"W	\$ 693	\$ 770	\$ 866
WTKFT5H48-FA	48"W	\$ 754	\$ 837	\$ 942
WTKFT5H54-FA	54"W	\$ 790	\$ 878	\$ 988
WTKFT5H60-FA	60"W	\$ 849	\$ 944	\$ 1062
WTKFT5H66-FA	66"W (2 Piece)	\$ 874	\$ 972	\$ 1093
WTKFT5H72-FA	72"W (2 Piece)	\$ 970	\$ 1078	\$ 1213
WTKFT5H78-FA	78"W (2 Piece)	\$ 1016	\$ 1129	\$ 1270
WTKFT5H84-FA	84"W (2 Piece)	\$ 1067	\$ 1185	\$ 1333
WTKFT5H90-FA	90"W (3 Piece)	\$ 1110	\$ 1234	\$ 1388
WTKFT5H96-FA	96"W (2 Piece)	\$ 1151	\$ 1279	\$ 1439

49"H Tackboards — see page 57				
WTKFT5H30-LA	30"W	\$ 642	\$ 713	\$ 803
WTKFT5H36-LA	36"W	\$ 665	\$ 739	\$ 831
WTKFT5H42-LA	42"W	\$ 721	\$ 801	\$ 901
WTKFT5H48-LA	48"W	\$ 784	\$ 871	\$ 980
WTKFT5H54-LA	54"W	\$ 822	\$ 914	\$ 1028
WTKFT5H60-LA	60"W	\$ 883	\$ 982	\$ 1104
WTKFT5H66-LA	66"W (2 Piece)	\$ 910	\$ 1011	\$ 1138
WTKFT5H72-LA	72"W (2 Piece)	\$ 1009	\$ 1122	\$ 1262
WTKFT5H78-LA	78"W (2 Piece)	\$ 1056	\$ 1174	\$ 1321
WTKFT5H84-LA	84"W (2 Piece)	\$ 1110	\$ 1233	\$ 1387
WTKFT5H90-LA	90"W (3 Piece)	\$ 1155	\$ 1283	\$ 1444
WTKFT5H96-LA	96"W (2 Piece)	\$ 1197	\$ 1330	\$ 1496

Cross Reference Index

by Model Number

Model	Page	Model	Page	Model	Page	Model	Page
ACPU4.....	68	WKBP2818.....	47	WKCSFY283618-HD.....	42	WKCUFY287224-LFOS.....	43
AEV920.....	61	WKBP2830.....	47	WKCSFY283618-LF.....	42	WKCUFY287224-OSLF.....	43
AKM1.....	68	WKBP2836.....	47	WKCSFY283624-BBF.....	42	WKDAFN294824.....	40
AKMH.....	68	WKBP2860.....	47	WKCSFY283624-HD.....	42	WKDAFN295424.....	40
ALED17U.....	72	WKBP2872.....	47	WKCSFY283624-LF.....	42	WKDAFN296024.....	40
ALED17U60.....	72	WKCACW25.....	59	WKCSFY283624-OS.....	42	WKDAFN296624.....	40
ALED17UJMP30.....	72	WKCACW35.....	59	WKCUFN246018-BFBF.....	45	WKDAFN296630.....	40
ALED31U.....	72	WKCACW50.....	59	WKCUFN246018-BFHD.....	45	WKDAFN297224.....	40
ALED31U60.....	72	WKCACW65.....	59	WKCUFN246018-BFOS.....	45	WKDAFN297230.....	40
ALED31UJMP30.....	72	WKCLFN4H1818LH-HDL.....	53	WKCUFN246018-HDBF.....	45	WKDAFN296630LH-FF.....	40
ALEDOCC.....	72	WKCLFN4H1818LH-SAL.....	53	WKCUFN246018-HDHD.....	45	WKDAFN296630RH-FF.....	40
ALKF23C.....	74	WKCLFN4H1818RH-HDL.....	53	WKCUFN246018-OSBF.....	45	WKDAFN297236RH-FF.....	40
AMKF22.....	74, 75	WKCLFN4H1818RH-SAL.....	53	WKCUFN247218-BFBF.....	45	WKDAFN297230RH-FF.....	40
APTK.....	76	WKCLFN4H1824LH-HDL.....	53	WKCUFN247218-BFHD.....	45	WKDAFN297236.....	40
ARSLCC.....	76	WKCLFN4H1824LH-SAL.....	53	WKCUFN247218-BFOS.....	45	WKDAFN297236LH-FF.....	40
ATBC2S.....	61	WKCLFN4H1824RH-HDL.....	53	WKCUFN247218-HDBF.....	45	WKDAFN297236RH-FF.....	40
ATBCMC.....	61	WKCLFN4H1824RH-SAL.....	53	WKCUFN247218-HDHD.....	45	WKDRFN294830LH-BBF.....	41
ATBT3S24.....	61	WKCLFN5H1818LH-HDL.....	53	WKCUFN247218-OSBF.....	45	WKDRFN294830RH-BBF.....	41
ATBTMEM.....	61	WKCLFN5H1818LH-SAL.....	53	WKCUFN286018-HDHD.....	43	WKDRFN295430LH-BBF.....	41
CMT24.....	61	WKCLFN5H1818RH-HDL.....	53	WKCUFN286018-HDLF.....	43	WKDRFN295430RH-BBF.....	41
CMT36.....	61	WKCLFN5H1818RH-SAL.....	53	WKCUFN286018-LFHD.....	43	WKDRFN296030LH-BBF.....	41
LKFE.....	75	WKCLFN5H1824LH-HDL.....	53	WKCUFN286018-LFLF.....	43	WKDRFN296030RH-BBF.....	41
LNKCL.....	72	WKCLFN5H1824LH-SAL.....	53	WKCUFN286018-LFOS.....	43	WKDRFN296630LH-BBF.....	41
LNKDA.....	72	WKCLFN5H1824RH-HDL.....	53	WKCUFN286018-OSLF.....	43	WKDRFN296630RH-BBF.....	41
LNKFS.....	72	WKCLFN5H1824RH-SAL.....	53	WKCUFN286024-HDHD.....	43	WKDRFN297230LH-BBF.....	41
LNKPM.....	72	WKCLFN5H3018-HDL.....	53	WKCUFN286024-HDLF.....	43	WKDRFN297230RH-BBF.....	41
LNKSA.....	72	WKCLFN5H3018LH-CFL.....	53	WKCUFN286024-LFHD.....	43	WKDRPB294830LH.....	41
SYFS.....	76	WKCLFN5H3018RH-CFL.....	53	WKCUFN286024-LFLF.....	43	WKDRPB294830RH.....	41
SYSTG.....	76	WKCLFN5H3024-HDL.....	53	WKCUFN286024-LFOS.....	43	WKDRPB295430LH.....	41
U9TF.....	65	WKCLFN5H3024LH-CFL.....	53	WKCUFN286024-OSLF.....	43	WKDRPB295430RH.....	41
U9TM.....	65	WKCLFN5H3024RH-CFL.....	53	WKCUFN287218-HDHD.....	43	WKDRPB296030LH.....	41
U9TP.....	65	WKCSFN83618-OS.....	42	WKCUFN287218-HDLF.....	43	WKDRPB296030RH.....	41
U9TS.....	65	WKCSFN243018-BF.....	44	WKCUFN287218-LFHD.....	43	WKDRPB296630LH.....	41
U9WTC.....	65	WKCSFN243018-HD.....	44	WKCUFN287218-LFLF.....	43	WKDRPB296630RH.....	41
U912WTR.....	65	WKCSFN243018-MF.....	44	WKCUFN287218-LFOS.....	43	WKDRPB297230LH.....	41
U918WTR.....	65	WKCSFN243018-OS.....	44	WKCUFN287218-OSLF.....	43	WKDRPB297230RH.....	41
U924WTR.....	65	WKCSFN243618-BF.....	44	WKCUFN287224-HDHD.....	43	WKDRPB297830LH.....	41
U930WTR.....	65	WKCSFN243618-HD.....	44	WKCUFN287224-HDLF.....	43	WKDRPB297830RH.....	41
U936WTR.....	65	WKCSFN243618-OS.....	44	WKCUFN287224-LFHD.....	43	WKDRPB298430LH.....	41
U942BWB.....	61	WKCSFN283018-HD.....	42	WKCUFN287224-LFLF.....	43	WKDRPB298430RH.....	41
U942WTR.....	65	WKCSFN283018-LF.....	42	WKCUFN287224-LFOS.....	43	WKDRTL294830.....	41
U948WTR.....	65	WKCSFN283018-MF.....	42	WKCUFN287224-OSLF.....	43	WKDRTL295430.....	41
U954BWB.....	61	WKCSFN283018-OS.....	42	WKCUFY246018-BFBF.....	45	WKDRTL296030.....	41
U954WTR.....	65	WKCSFN283018-OSBF.....	42	WKCUFY246018-BFHD.....	45	WKDRTL297230.....	41
U960WTR.....	65	WKCSFN283024-HD.....	42	WKCUFY246018-BFOS.....	45	WKDRTL297830.....	41
U966BWB.....	61	WKCSFN283024-LF.....	42	WKCUFY246018-HDBF.....	45	WKDRTL298430.....	41
U966WTR.....	65	WKCSFN283024-MF.....	42	WKCUFY246018-OSBF.....	45	WKDTCB294830.....	40
U972WTR.....	65	WKCSFN283024-OS.....	42	WKCUFY247218-BFBF.....	45	WKDTCB295430.....	40
U978WTR.....	65	WKCSFN283024-OSBF.....	42	WKCUFY247218-BFHD.....	45	WKDTCB296030.....	40
U984WTR.....	65	WKCSFN283618-HD.....	42	WKCUFY247218-BFOS.....	45	WKDTCB296630.....	40
U990WTR.....	65	WKCSFN283618-LF.....	42	WKCUFY247218-HDBF.....	45	WKDTCB297230.....	40
U996WTR.....	65	WKCSFN283618-OSBF.....	42	WKCUFY247218-OSBF.....	45	WKDUFN296030LH-BBF.....	41
WANDFS.....	72	WKCSFN283624-HD.....	42	WKCUFY286018-HDHD.....	43	WKDUFN296030RH-BBF.....	41
WANDFSOC.....	72	WKCSFN283624-LF.....	42	WKCUFY286018-HDLF.....	43	WKDUFN296630LH-BBF.....	41
WKAUBG4224.....	47	WKCSFN283624-OS.....	42	WKCUFY286018-LFHD.....	43	WKDUFN296630RH-BBF.....	41
WKAUBG4824.....	47	WKCSFN283624-OSBF.....	42	WKCUFY286018-LFLF.....	43	WKDUFN297230LH-BBF.....	41
WKAUCB29.....	50	WKCSFY83618-OS.....	42	WKCUFY286018-LFOS.....	43	WKDUFN297230RH-BBF.....	41
WKAURS4824.....	60	WKCSFY243018-BF.....	44	WKCUFY286018-OSLF.....	43	WKDUFN297236-BBFF.....	41
WKAURS5424.....	60	WKCSFY243018-HD.....	44	WKCUFY286024-HDHD.....	43	WKDUFN297236LH-BBF.....	41
WKAURS6024.....	60	WKCSFY243018-OS.....	44	WKCUFY286024-HDLF.....	43	WKDUFN297236RH-BBF.....	41
WKAURS6624.....	60	WKCSFY243618-BF.....	44	WKCUFY286024-LFHD.....	43	WKEC.....	59
WKAURS6630.....	60	WKCSFY243618-HD.....	44	WKCUFY286024-LFLF.....	43	WKEP2824LH.....	50
WKAURS7224.....	60	WKCSFY243618-OS.....	44	WKCUFY286024-LFOS.....	43	WKEP2824RH.....	50
WKAURS7230.....	60	WKCSFY283018-BBF.....	42	WKCUFY286024-OSLF.....	43	WKEP2830LH.....	50
WKAURS7236.....	60	WKCSFY283018-HD.....	42	WKCUFY287218-HDHD.....	43	WKEP2830RH.....	50
WKBKFN2H3015.....	52	WKCSFY283018-LF.....	42	WKCUFY287218-HDLF.....	43	WKEP2836LH.....	50
WKBKFN3H3015.....	52	WKCSFY283018-MF.....	42	WKCUFY287218-LFHD.....	43	WKEP2836RH.....	50
WKBKFN4H3015.....	52	WKCSFY283018-OS.....	42	WKCUFY287218-LFLF.....	43	WKFC1620.....	48
WKBKFN5H3015.....	52	WKCSFY283024-BBF.....	42	WKCUFY287218-LFOS.....	43	WKFC3018.....	48
WKBP2418.....	47	WKCSFY283024-HD.....	42	WKCUFY287218-OSLF.....	43	WKFC3618.....	48
WKBP2430.....	47	WKCSFY283024-LF.....	42	WKCUFY287218-OSBF.....	43	WKFPFN281218LH.....	47
WKBP2436.....	47	WKCSFY283024-MF.....	42	WKCUFY287224-HDHD.....	43	WKFPFN281218RH.....	47
WKBP2460.....	47	WKCSFY283024-OS.....	42	WKCUFY287224-LFHD.....	43	WKFPFN281224LH.....	47
WKBP2472.....	47	WKCSFY283618-BBF.....	42	WKCUFY287224-LFLF.....	43	WKFPFN281224RH.....	47

Cross Reference Index

by Model Number

Model	Page	Model	Page	Model	Page	Model	Page
WKHP2824	47	WKST418	50	WTKTGT4H90-LA	58	WKWSCW5418	48
WKHP2830	47	WKTBT12824	50	WTKTGT4H96-FA	58	WKWSCW5424	48
WKHP2836	47	WKTBT12830	50	WTKTGT4H96-LA	58	WKWSCW6018	48
WKHP2842	47	WKTDO1296630	40	WTKTGT5H30-FA	58	WKWSCW6024	48
WKHP2848	47	WKTDO1297230	40	WTKTGT5H30-LA	58	WKWSCW6618	48
WKLFFN2H3018	52	WTKTFT4H30-FA	56	WTKTGT5H36-FA	58	WKWSCW6624	48
WKLFFN2H3024	52	WTKTFT4H30-LA	56	WTKTGT5H36-LA	58	WKWSCW7218	48
WKLFFN2H3618	52	WTKTFT4H36-FA	56	WTKTGT5H42-FA	58	WKWSCW7224	48
WKLFFN2H3624	52	WTKTFT4H36-LA	56	WTKTGT5H42-LA	58	WKWSCW7818	48
WKLFFN3H3018	52	WTKTFT4H42-FA	56	WTKTGT5H48-FA	58	WKWSCW7824	48
WKLFFN3H3024	52	WTKTFT4H42-LA	56	WTKTGT5H48-LA	58	WKWSCW8418	48
WKLFFN3H3618	52	WTKTFT4H48-FA	56	WTKTGT5H54-FA	58	WKWSCW8424	48
WKLFFN3H3624	52	WTKTFT4H48-LA	56	WTKTGT5H54-LA	58	WKWSCW9018	48
WKLFFN4H3018	52	WTKTFT4H54-FA	56	WTKTGT5H60-FA	58	WKWSCW9024	48
WKLFFN4H3024	52	WTKTFT4H54-LA	56	WTKTGT5H60-LA	58	WKWSCW9618	48
WKLFFN4H3618	52	WTKTFT4H60-FA	56	WTKTGT5H66-FA	58	WKWSCW9624	48
WKLFFN4H3624	52	WTKTFT4H60-LA	56	WTKTGT5H66-LA	58	WKWSDS6024	49
WKMP1430	51	WTKTFT4H66-FA	56	WTKTGT5H72-FA	58	WKWSDS6030	49
WKMP1436	51	WTKTFT4H66-LA	56	WTKTGT5H72-LA	58	WKWSDS6624	49
WKMP1436LH	51	WTKTFT4H72-FA	56	WTKTGT5H78-FA	58	WKWSDS6630	49
WKMP1436RH	51	WTKTFT4H72-LA	56	WTKTGT5H78-LA	58	WKWSDS7224	49
WKMP1442	51	WTKTFT4H78-FA	56	WTKTGT5H84-FA	58	WKWSDS7230	49
WKMP1442LH	51	WTKTFT4H78-LA	56	WTKTGT5H84-LA	58	WKWSPT1818	48
WKMP1442RH	51	WTKTFT4H84-FA	56	WTKTGT5H90-FA	58	WKWSPT1824	48
WKMP1448	51	WTKTFT4H84-LA	56	WTKTGT5H90-LA	58	WKWSRS3024	49
WKMP1448LH	51	WTKTFT4H90-FA	56	WTKTGT5H96-FA	58	WKWSRS3030	49
WKMP1448RH	51	WTKTFT4H90-LA	56	WTKTGT5H96-LA	58	WKWSRS3624	49
WKMP1454	51	WTKTFT4H96-FA	56	WTKTRD36	48	WKWSRS3630	49
WKMP1454LH	51	WTKTFT4H96-LA	56	WTKTRD42	48	WKWSRS4224	49
WKMP1454RH	51	WTKTFT5H30-FA	57	WTKTRD48	48	WKWSRS4230	49
WKMP1460	51	WTKTFT5H30-LA	57	WKTTSQ3636	48	WKWSRS4824	49
WKMP1460LH	51	WTKTFT5H36-FA	57	WKTTSQ4242	48	WKWSRS4830	49
WKMP1460RH	51	WTKTFT5H36-LA	57	WKTTSQ4848	48	WKWSRS5424	49
WKMP1466	51	WTKTFT5H42-FA	57	WKTWFN4H1815LH-HDL	54	WKWSRS5430	49
WKMP1466LH	51	WTKTFT5H42-LA	57	WKTWFN4H1815LH-HDM	54	WKWSRS6024	49
WKMP1466RH	51	WTKTFT5H48-FA	57	WKTWFN4H1815LH-SAL	54	WKWSRS6030	49
WKMP1472	51	WTKTFT5H48-LA	57	WKTWFN4H1815LH-SAM	54	WKWSRS6624	49
WKMP1472LH	51	WTKTFT5H54-FA	57	WKTWFN4H1815RH-HDL	54	WKWSRS6630	49
WKMP1472RH	51	WTKTFT5H54-LA	57	WKTWFN4H1815RH-HDM	54	WKWSRS7224	49
WKMTMB	59	WTKTFT5H60-FA	57	WKTWFN4H1815RH-SAL	54	WKWSRS7230	49
WKMTMP	59	WTKTFT5H60-LA	57	WKTWFN4H1815RH-SAM	54	WKWSRS7236	49
WKOH153015-HDG	55	WTKTFT5H66-FA	57	WKTWFN4H1815SH	54	WKWSRS7824	49
WKOH153015-HDL	55	WTKTFT5H66-LA	57	WKTWFN4H3015-HDL	54	WKWSRS7830	49
WKOH153015-HDM	55	WTKTFT5H72-FA	57	WKTWFN4H3015-HDM	54	WKWSRS7836	49
WKOH153015-NDL	55	WTKTFT5H72-LA	57	WKTWFN4H3015-SH	54	WKWSRS8424	49
WKOH153615-HDG	55	WTKTFT5H78-FA	57	WKTWFN4H3615-HDL	54	WKWSRS8430	49
WKOH153615-HDL	55	WTKTFT5H78-LA	57	WKTWFN4H3615-HDM	54	WKWSRS8436	49
WKOH153615-HDM	55	WTKTFT5H84-FA	57	WKTWFN4H3615-SH	54	WKWSRS9024	49
WKOH153615-NDL	55	WTKTFT5H84-LA	57	WKTWFN5H1815LH-HDL	54	WKWSRS9030	49
WKOH156015-HDG	55	WTKTFT5H90-FA	57	WKTWFN5H1815LH-HDM	54	WKWSRS9624	49
WKOH156015-HDL	55	WTKTFT5H90-LA	57	WKTWFN5H1815LH-SAL	54	WKWSRS9630	49
WKOH156015-HDM	55	WTKTFT5H96-FA	57	WKTWFN5H1815LH-SAM	54	WKWT30	59
WKOH156015-SDL	55	WTKTFT5H96-LA	57	WKTWFN5H1815RH-HDL	54	Z5SC42	50
WKOH157215-HDG	55	WTKTGT4H30-FA	58	WKTWFN5H1815RH-HDM	54	Z5SC48	50
WKOH157215-HDL	55	WTKTGT4H30-LA	58	WKTWFN5H1815RH-SAL	54	Z5SC54	50
WKOH157215-HDM	55	WTKTGT4H36-FA	58	WKTWFN5H1815RH-SAM	54	Z5SC60	50
WKOH157215-SDL	55	WTKTGT4H36-LA	58	WKTWFN5H1815SH	54	Z5SC66	50
WKPLFN241818-BF	46	WTKTGT4H42-FA	58	WKTWFN5H3015-HDL	54	Z5SC72	50
WKPMFN241620-BF	46	WTKTGT4H42-LA	58	WKTWFN5H3015-HDM	54	Z5SC78	50
WKPSFN28924-BBF	46	WTKTGT4H48-FA	58	WKTWFN5H3015-SH	54	Z5SC84	50
WKPSFN28924-FF	46	WTKTGT4H48-LA	58	WKTWFN5H3615-HDL	54	ZW8LT	68
WKPSFN28930-BBF	46	WTKTGT4H54-FA	58	WKTWFN5H3615-HDM	54	ZW82KIT	68
WKPSFN28930-FF	46	WTKTGT4H54-LA	58	WKTWFN5H3615-SH	54	ZW810H	68
WKPSFN281818-BBF	46	WTKTGT4H60-FA	58	WKWC1814-SH	53	ZW810S	68
WKPSFN281818-FF	46	WTKTGT4H60-LA	58	WKWC2414-SH	53	ZW810T	68
WKPSFN281818LH-HD	46	WTKTGT4H66-FA	58	WKWC3014-SH	53	ZW820D	68
WKPSFN281818RH-HD	46	WTKTGT4H66-LA	58	WKWSCW3018	48	ZW820DH	68
WKPSFN281824-BBF	46	WTKTGT4H72-FA	58	WKWSCW3024	48		
WKPSFN281824-FF	46	WTKTGT4H72-LA	58	WKWSCW3618	48		
WKPSFN281824LH-HD	46	WTKTGT4H78-FA	58	WKWSCW3624	48		
WKPSFN281824RH-HD	46	WTKTGT4H78-LA	58	WKWSCW4218	48		
WKST312	50	WTKTGT4H84-FA	58	WKWSCW4224	48		
WKST318	50	WTKTGT4H84-LA	58	WKWSCW4818	48		
WKST412	50	WTKTGT4H90-FA	58	WKWSCW4824	48		

SEATING UPHOLSTERY FOR TACKBOARDS — RR CUT on 54"W and 60"W

GRADE 1 (Use Grade A Pricing)

CENTURION B, C, F, O, S, T
 CTU code shortened to **CU**
(Nanotex™ Stain-Resistant finish)

Apricot.....	CU47
Bark.....	CU25
Berry.....	CU62
Black.....	CU10
Cerulean.....	CU90
Espresso.....	CU49
Frost.....	CU22
Goldenrod.....	CU27
Iris NEW!	CU50
Iron Ore.....	CU19
Jade.....	CU83
Marsala.....	CU63
Morel.....	CU24
Navy.....	CU98
Olivine.....	CU82
Peacock.....	CU97
Pear.....	CU84
Poppy.....	CU42
Ruby.....	CU67

DAPPER B^w, F^w, S^w, T^w
(100% Polyester)

Ash.....	DAPR20
Azalea.....	DAPR95
Breeze.....	DAPR06
Canvas.....	DAPR25
Currant.....	DAPR00
Emerald.....	DAPR75
Fawn.....	DAPR35
Fern.....	DAPR85
Jewel.....	DAPR08
Marigold.....	DAPR65
Onyx.....	DAPR10
Orchid.....	DAPR90
Peony.....	DAPR50
Pool.....	DAPR05
Rose.....	DAPR40
Sapphire.....	DAPR07
Scarlet.....	DAPR45
Sepia.....	DAPR30
Slate.....	DAPR15
Sorbet.....	DAPR55
Spice.....	DAPR60
Spring.....	DAPR80
Varsity.....	DAPR09
Zest.....	DAPR70

PERENNIAL B, C, F, S, T
(100% Recycled)

Bark.....	PNL04
Bellflower.....	PNL13
Daylily.....	PNL06
Delphinium.....	PNL05
Fennel.....	PNL07
Fuchsia.....	PNL15
Helenium.....	PNL17
Iris.....	PNL01
Ivy.....	PNL10
Lilium.....	PNL14
Phlox.....	PNL16
Primrose.....	PNL12
Sage.....	PNL03
Zinnia.....	PNL09

GRADE 2 (Use Grade B Pricing)

NARRATIVE B, C, F, O, S, T
(58% Recycled)

Buff.....	NTV03
Cerulean.....	NTV09
Conifer.....	NTV10
Cordovan.....	NTV05
Falu Red.....	NTV06
Mustard.....	NTV07
Pebble.....	NTV02
Prussian Blue.....	NTV08
Umber.....	NTV01
White Pepper.....	NTV04

GRADE 4 (Use Grade D Pricing)

Maharam MEDIUM C, F, S, T

Alloy.....	MDM003
Bark.....	MDM006
Blackberry.....	MDM052
Cascade.....	MDM051
Clover.....	MDM042
Cosmic.....	MDM050
Cream.....	MDM030
Delight.....	MDM036
Espresso.....	MDM007
Flax.....	MDM004
Furrow.....	MDM034
Hazard.....	MDM035
Hike.....	MDM047
Honey.....	MDM033
Iris.....	MDM037
Laser.....	MDM014
Lavender.....	MDM038
Mallard.....	MDM041
Marina.....	MDM022
Nasturtium.....	MDM053
Nautical.....	MDM039
Pacific.....	MDM049
Pecan.....	MDM008
Persimmon.....	MDM013
Pistachio.....	MDM029
Pool.....	MDM040
Port.....	MDM016
Prospect.....	MDM032
Pumpkin.....	MDM012
Raven.....	MDM001
Sculpture.....	MDM045
Sift.....	MDM031
Smoke.....	MDM002
Tangle.....	MDM048
Thatched.....	MDM046
Thistle.....	MDM043
Washed.....	MDM044
Wooded.....	MDM054

GRADE 4 (Use Grade D Pricing)

Maharam MESSENGER C, F, S, T
(78% Recycled)

Ash.....	GRM977
Aster.....	GRM967
Azure.....	GRM941
Balsa.....	GRM901
Bayou.....	GRM908
Beyond.....	GRM985
Cactus.....	GRM945
Capri.....	GRM961
Cassis.....	GRM966
Cherry.....	GRM969
Chestnut.....	GRM952
Chili.....	GRM983
Cloud.....	GRM931
Depth.....	GRM938
Electric.....	GRM988
Everglade.....	GRM987
Fennel.....	GRM959
Fireside.....	GRM982
Fossil.....	GRM976
Husk.....	GRM981
Hydrangea.....	GRM950
Ice.....	GRM946
Lilac.....	GRM951
Lumine.....	GRM954
Mao.....	GRM925
Neon.....	GRM948
Nile.....	GRM940
Onyx.....	GRM929
Oyster.....	GRM979
Pensive.....	GRM980
Peridot.....	GRM960
Poppy.....	GRM924
Robust.....	GRM984
Satchel.....	GRM975
Satsuma.....	GRM971
Shadow.....	GRM907
Spice.....	GRM968
Squall.....	GRM963
Tangelo.....	GRM953
Tobacco.....	GRM906
Turf.....	GRM947
Ultramarine.....	GRM962
Vibrant.....	GRM970
Voyage.....	GRM986
Zinc.....	GRM910

Multi-use fabrics are noted with the following designators:
B – Tackboards, **C** – Concensys®,
F – Further™, **O** – Optimize™,
S – Stride®, **T** – Terrace®.

ALLSTEEL PARTNERSHIP PROGRAM

Allsteel understands that customers may want to specify panel and seating textiles outside of Allsteel's standard offering. Allsteel's Partnership Program consists of on-trend and design-forward patterns that have been tested and approved by Allsteel for use on Allsteel products. A subset of these approved patterns is available on cards in the textile binder, while numerous others are available on our website, allsteeloffice.com.

For memo samples, please contact our partners:

- Carnegie, carnegiefabrics.com 1.800.727.6770
- CF Stinson, cfstinson.com 1.800.841.6279
- Edelman, edelmanleather.com 1.800.886.8339
- HBF Textiles, hbftextiles.com 1.877.494.5727
- Maharam, maharam.com 1.800.645.3943
- Momentum Textiles, memosamples.com 1.800.366.6839
- Ultrafabrics, ultrafabricsllc.com

The intent of the **Partnership Program** is to offer a wide variety of on-trend textiles to meet your varied needs, but since these textiles are not part of our standard offering they may be subject to extended lead times. Because new materials will be introduced regularly, Allsteel reserves the right to change the offering at any time.

GRADE A

APPOINT PANEL

100% Polyester

Artichoke.....	APN911
Blackberry.....	APN932
Bronze.....	APN922
Carbon.....	APN928
Chai.....	APN912
Cherry.....	APN930
Copper.....	APN918
Dark Pewter.....	APN917
Dune.....	APN915
Espresso.....	APN923
Frost.....	APN934
Framboise.....	APN931
Hummus.....	APN914
Jet.....	APN927
Lawn.....	APN925
Mandarin.....	APN929
Morel.....	APN909
Nimbus.....	APN916
Platinum.....	APN924
Turmeric.....	APN910
Turquoise.....	APN926
Walnut.....	APN913

ELEMENT

100% Polyester

Flint.....	GN965
Indigo.....	GN967
Latte.....	GN973
Millet.....	GN972
Parchment.....	GN953
Sea.....	GN974
Veil.....	GN913
Warm Beige.....	GN955
Wisp.....	GN975

ETCH

100% Polyester

Aquatint.....	ECH901
Crosshatch.....	ECH904
Engrave.....	ECH902
Intaglio.....	ECH906
Lithograph.....	ECH903
Mezzotint.....	ECH907
Woodcut.....	ECH905

EXCHANGE

100% Polyester

Florin.....	EXG908
Franc.....	EXG902
Krona.....	EXG907
Lira.....	EXG906
Riyal.....	EXG901
Rupee.....	EXG903
Tolar.....	EXG904

LANDSCAPE

100% Polyester

Cornsilk.....	LN15
Drift.....	LN05
Khaki.....	LN20
Sheen.....	LN10
Slate.....	LN35
Umber.....	LN25
Urban.....	LN30

GRADE A – continued

LUCY

100% Recycled Polyester

Aspen.....	LC932
Cornsilk.....	LC930
Dusk.....	LC922
Fawn.....	LC933
Graphite.....	LC934
Mist.....	LC920
Neutra.....	LC924
Pewter.....	LC935
Snowdrop.....	LC928

REFLECTIONS

100% Recycled Polyester

Bamboo.....	REF926
Galvanized.....	REF929
Ice.....	REF920
Loggia.....	REF921
Mistral.....	REF928
Moonstone.....	REF923
Pewter.....	REF922
Stainless.....	REF924
Vanilla.....	REF925
Winter.....	REF927

REFUGE

64% Recycled Polyester
36% Polyester

Artesian.....	RFG996
Dune.....	RFG992
Eclipse NEW!	RFG990
Frost †.....	RFG993
Glacier † NEW!	RFG991
Hemp.....	RFG997
Mineral.....	RFG998
Sandbar.....	RFG995
Tidal.....	RFG994

TANGO

100% Polyester

Aficionado.....	TG994
Azul.....	TG993
Bongo.....	TG980
Dip.....	TG982
Palma.....	TG991
Pecan.....	TG985
Pistachio.....	TG986
Playa.....	TG933
Salsa.....	TG987
Sol.....	TG992
Tequila.....	TG990

TEMPEST

100% Recycled Polyester

Dragonfly.....	TP930
Frost.....	TP915
Full Stream.....	TP980
Ginger.....	TP925
Gold Rush.....	TP910
Sandstorm.....	TP950
Slate.....	TP945
Tumbleweed.....	TP970
Wind Chill.....	TP940
Zebra.....	TP935

GRADE B

COAST †

100% Antimony-Free Polyester

Channel.....	COA914
Dune.....	COA903
Fjord.....	COA905
Headlands.....	COA910
Humus.....	COA907
Marsh.....	COA902
Pebble.....	COA912
Pier.....	COA913
Shoal.....	COA901
Silt.....	COA906
Tide.....	COA908
Tombolo.....	COA909

GRADE B – continued

MICA

100% Recycled Polyester

Anthracite.....	MCA911
Breeze.....	MCA918
Bronze.....	MCA913
Buff.....	MCA914
Cremini.....	MCA917
Crystal †.....	MCA917
Dew.....	MCA920
Dove.....	MCA912
Fresh.....	MCA916
Mineral.....	MCA915
Nectar.....	MCA919
Shale.....	MCA910

SPIN PANEL

46% Recycled Polyester,
56% Polyester

Alabaster.....	SPIN02
Cavern.....	SPIN03
Cobblestone.....	SPIN04
Ember.....	SPIN06
Flame.....	SPIN07
Heron.....	SPIN13
Oat.....	SPIN01
Ocean.....	SPIN12
Plum.....	SPIN15
Pool.....	SPIN11
Raven.....	SPIN10
Rhubarb.....	SPIN14
Tropic.....	SPIN08
Willow.....	SPIN05

TERRAIN

52% Recycled Polyester,
48% Polyester

Bay.....	TRRN05
Bayou.....	TRRN35
Canyon.....	TRRN30
Cliff.....	TRRN45
Crest.....	TRRN25
Delta.....	TRRN10
Plateau.....	TRRN15
Ridge.....	TRRN20
Valley.....	TRRN40

ALLSTEEL

PARTNERSHIP PROGRAM

See page 82 for detailed explanation of Partnership Program.

GRADE C

SCRIPT

Almond.....	PMOMSCP01
Charcoal.....	PMOMSCP12
Feldspar.....	PMOMSCP23
Flint.....	PMOMSCP34
Nectar.....	PMOMSCP45
Patina.....	PMOMSCP56
Pebble.....	PMOMSCP67
Sand.....	PMOMSCP78
Shadow.....	PMOMSCP89
Slate.....	PMOMSCP00
Sterling.....	PMOMSCP11
Taupe.....	PMOMSCP22
Zinc.....	PMOMSCP33

† Panel fabric is not available on Optimize or Concensys.

SPECIFICATION AND PRICE LIST 2017

prices effective January 29

SHOWROOMS

Atlanta
Boston
Chicago
Dallas
Los Angeles
New York
San Francisco
Washington, DC

Allsteel®

Allsteel Inc.
Muscatine, Iowa 52761-5257
allsteeloffice.com

©2017 Allsteel Inc.
All registered trademarks and trademarks are the property of Allsteel Inc.